

APPROVED SHEET

CUSTOMER: _____

CUSTOMER P/N: _____

JWD P/N: S06714BA

REV: R0

DESCRIPTION: 10/100 BASE-TX

Meet AEC-Q200 Standard

CUSTOMER APPROVAL		COMPANY APPROVAL	
INSPECTED BY:		ISSUED BY:	Chengkun, Li
CHECKED BY:		CHECKED BY:	Mingrui, Song
APPROVED BY:		APPROVED BY:	Focus, Wang
APPROVED DATE:		ISSUED DATE:	2019/8/12

Please Return One Copy to Us After Approved,TKS! (承认后请回寄一份,谢谢)



四川经纬达科技集团有限公司

Sichuan Jingweida Technology Group Co., Ltd

地址: 四川省绵阳市高新区永兴镇永兴工业园

ADD: YongXing Industrial of High-tech Zone In Mianyang City, Sichuan Province

TEL: +86-816-2561202 FAX: +86-816-2562518

E-MAIL: myjwd@myjwd.com

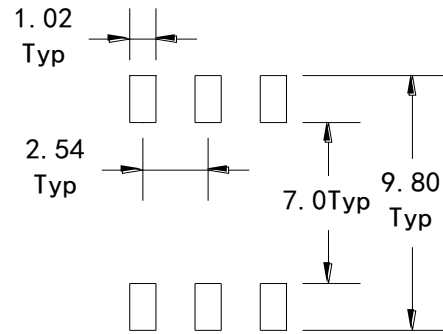
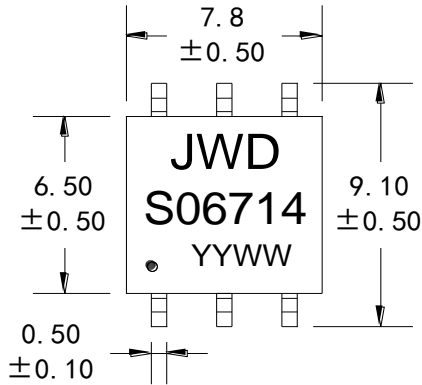
WEB: www.myjwd.com



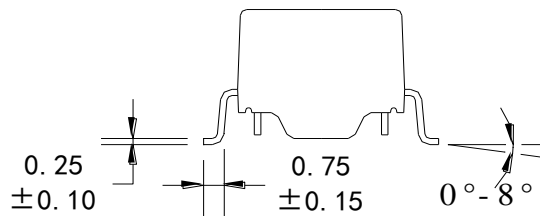
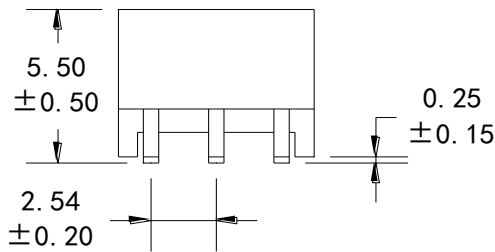
四川经纬达科技集团有限公司

Sichuan Jingweida Technology Group Co., Ltd

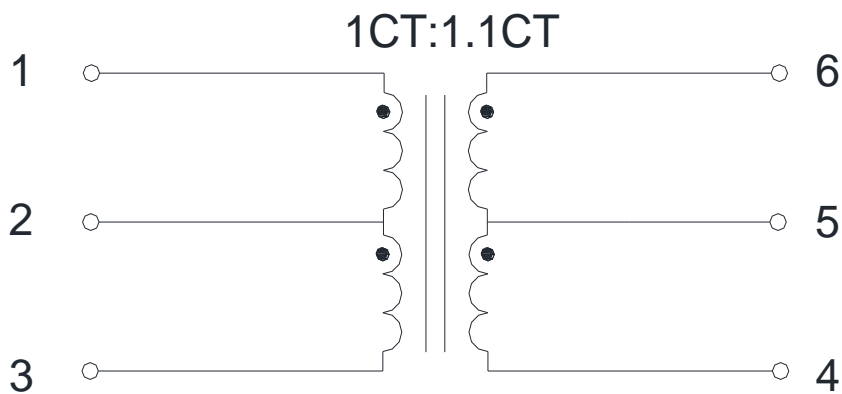
A. MECHANICAL(unit:mm)



Suggested PAD Layout



B. SCHEMATICS



DESCRIPTION	JWD P/N	SPEC NO.	REV: R0
10/100 BASE-TX	S06714BA		PAGE: 1/3



四川经纬达科技集团有限公司

Sichuan Jingweida Technology Group Co., Ltd

C. ELECTRICAL SPECIFICATIONS @25°C

1. OCL(TD & RD): 300uH Min with 100 KHz, 0.1V
200uH Min with 100 KHz, 0.1V
2. DCR: 1000mΩ Max
3. Turns Ratio:(1-3):(6-4)= 1CT:1.1CT±5%
4. Isolation Hipot: 3100VAC 1mA 2s
5. Operating temperature -40°C to +125°C
6. Storage temperature -40°C to +125°C
7. Meet AEC-Q200 Standard

DESCRIPTION	JWD P/N	SPEC NO.	REV: R0
10/100 BASE-TX	S06714BA		PAGE: 2/3