

Customer drawings

NOTE:

1,	DESCRIPTION	Q'ty	MATERIAL	PLATING
01	CAGE	1PCS	STAINLESS STEEL	N/A
02	EMI FINGERS	7PCS	COPPER ALLOY	NI FOR ALL
03	EMI SPRINGS	4PCS	STAINLESS STEEL	N/A
04	HEATSINK CLIP	1PCS	STAINLESS STEEL	N/A
05	HEATSINK	2PCS	ALUMINUM	NI FOR ALL
06	LIGHTPIPE	2PCS	PC,CLEAR	N/A

2, TEMPERATURE:  
 OPERATION: -40°C~+85°C  
 STORAGE: -40°C~+85°C

A

B

C

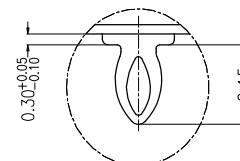
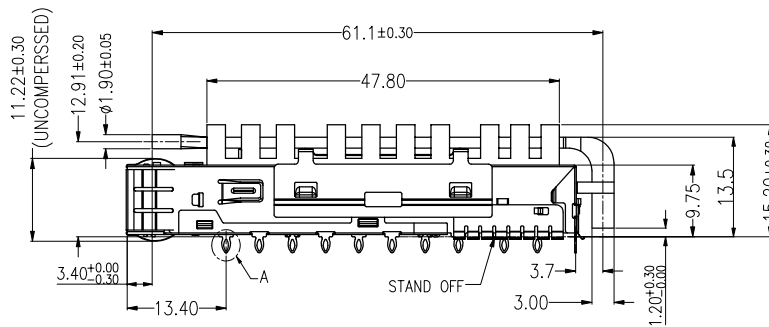
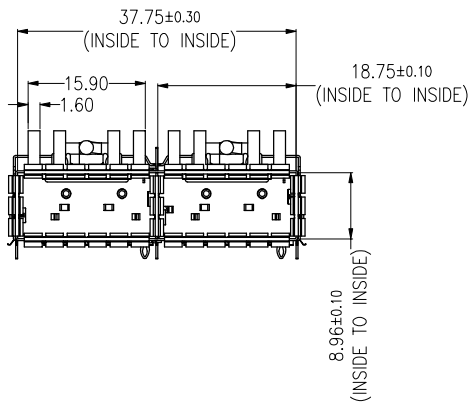
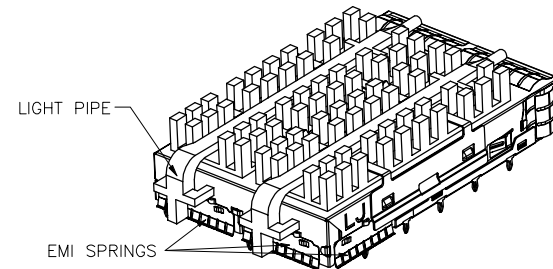
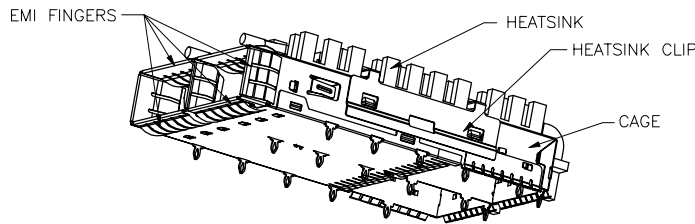
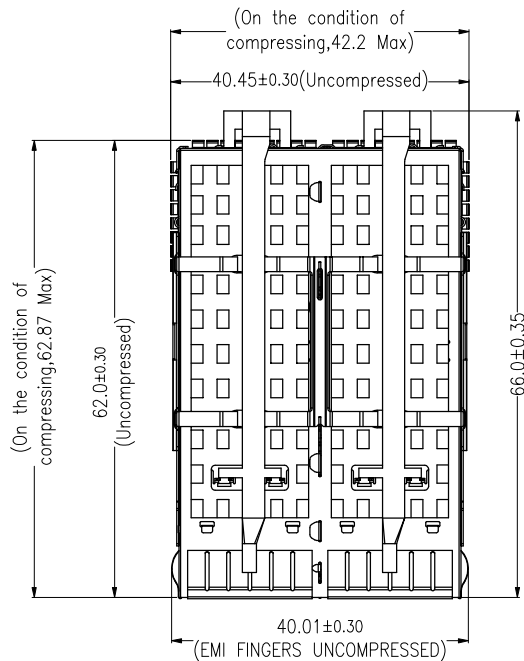
D

A

B

C

D



DETAIL: A  
SCALE: 5:1

自由公差		设计		苏州沃虎电子科技有限公司 SUZHOU WOHU ELECTRONIC TECHNOLOGY CO.,LTD		
长度尺寸	角度尺寸	Lemon	2019.03.16			
X. ±0.25	X' ±0.5°	审核	Tony	2019.03.16	品名	高速接口28G 1x2 CAGE WITH LIGHTPIPE&HEATSINK
.X ±0.25	.X' ±0.5°				料号	81-162-00010-1
.XX ±0.20	.XX' ±0.5°				图号	E8118010801-C
.XXX ±0.15	.XXX' ±0.5°	核准	Shmily	2019.03.16	版本	A
单位	mm	比例	1:1			
A4	⊕	页次	1 of 3			

A	NEW RELEASE	/	Shmily
版次	修改说明	ECN 编号	核准

1

2

3

4

5

6

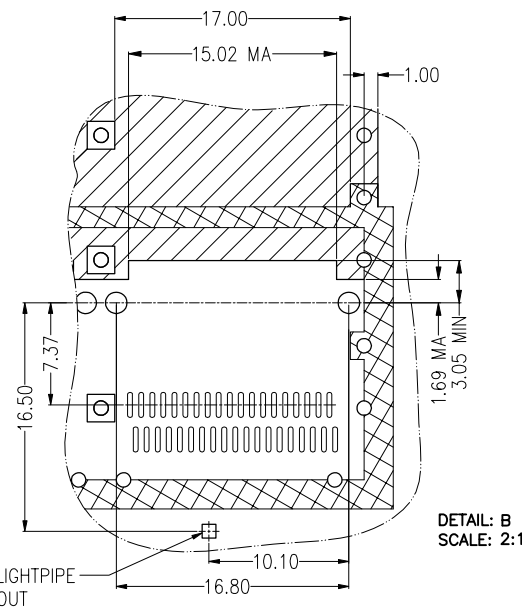
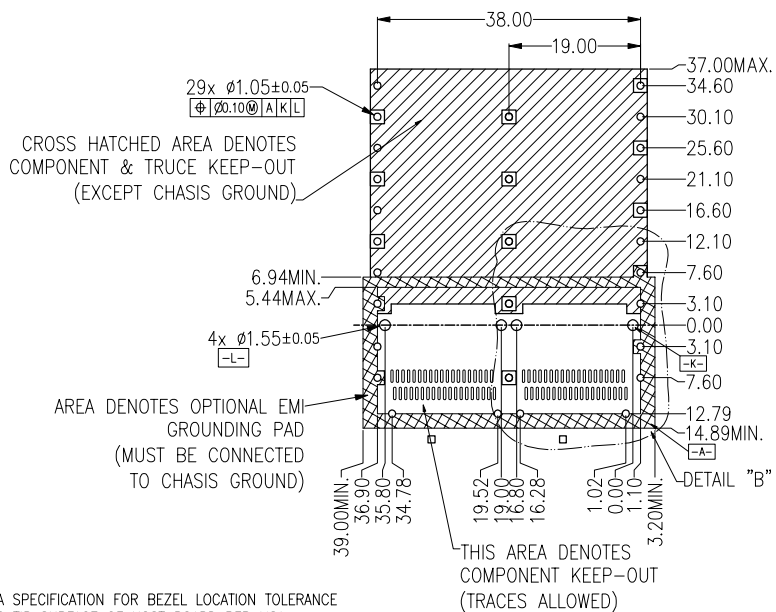
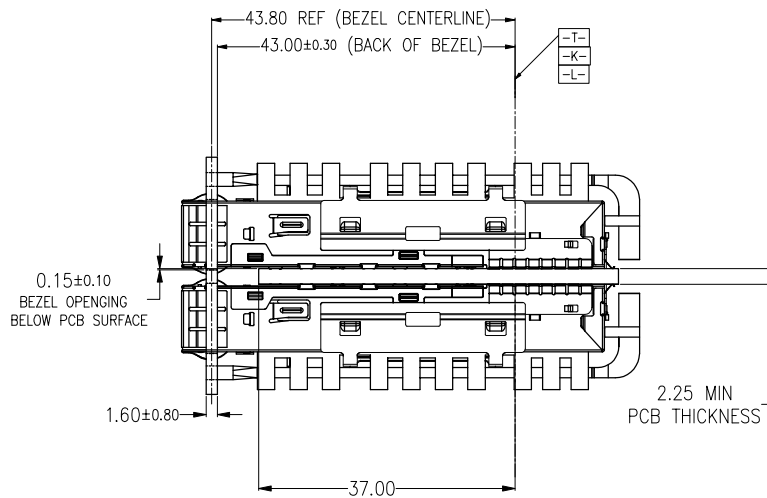
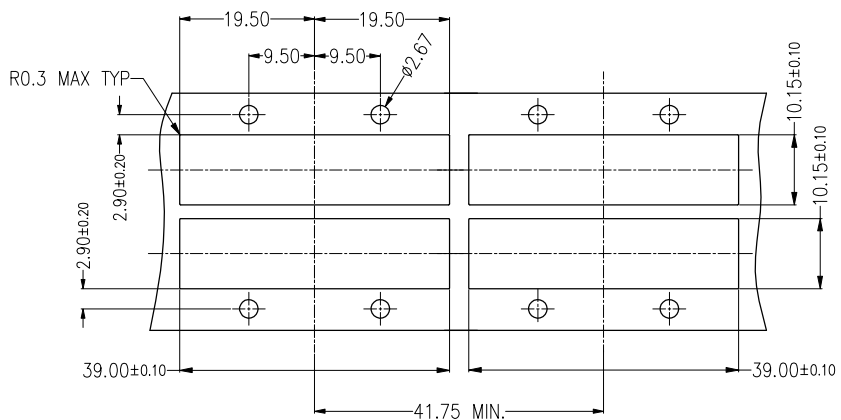
7

8



Customer drawings

PCB LAYOUT FOR SINGLE SIDED APPLICATION



NOTES:

- SEE QSFP MSA SPECIFICATION FOR BEZEL LOCATION TOLERANCE
- DATUM -A- IS TIP SURFACE OF HOST BOARD PER MSA
- FINISHED HOLE SIZE (AFTER PLATING)
- DATUM -K- IS HOST BOARD THREE HOLE #1 TO ACCEPT CONNECTOR GUIDE POST PER MSA
- DATUM -L- IS HOST BOARD THREE HOLE #2 TO ACCEPT CONNECTOR GUIDE POST PER MSA
- DATUM -T- IS HARD STOP ON CAGE PER MSA

A	NEW RELEASE	/	Shmily	
版次	修改说明	ECN 编号	核准	

自由公差		设计	2019.03.16	品名	高速接口28G 1x2 CAGE WITH LIGHTPIPE&HEATSINK
长度尺寸	角度尺寸				
X. ±0.25	X'. ±0.5'	Lemon		料号	81-162-00010-1
.X ±0.25	.X' ±0.5'	审核	2019.03.16	图号	E8118010801-C
.XX ±0.20	.XX' ±0.5'	Tony		版本	A
.XXX ±0.15	.XXX' ±0.5'	核准	2019.03.16		
单位 mm	比例 1:1	Shmily			
A4	页次 3 of 3				

苏州沃虎电子科技有限公司  
SUZHOU WOHU ELECTRONIC TECHNOLOGY CO.,LTD