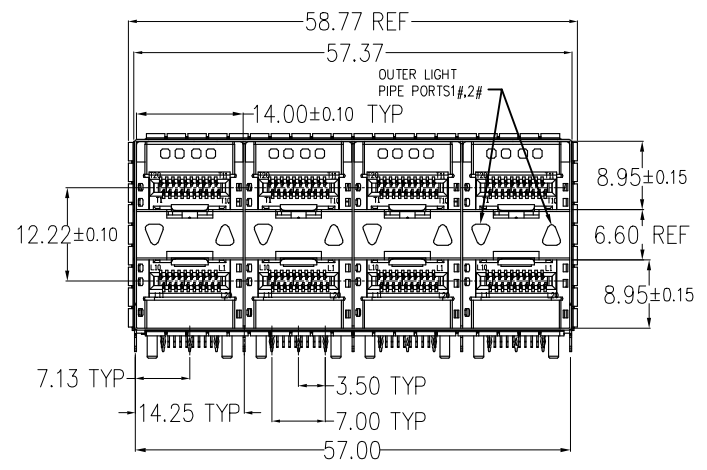
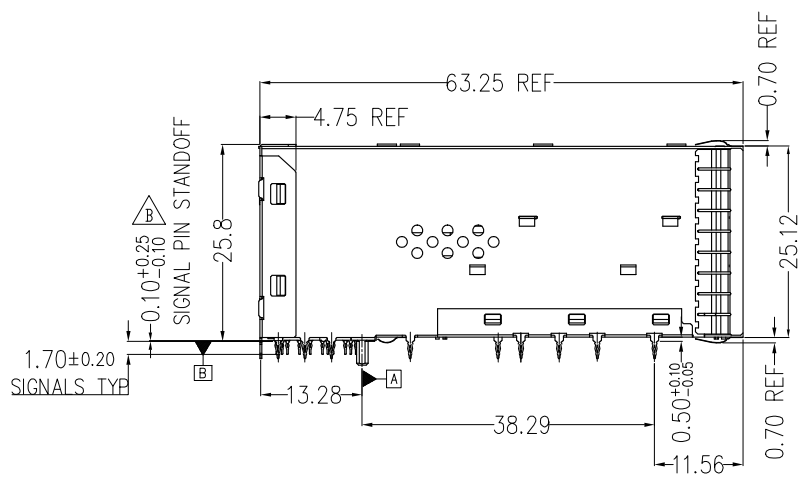


Customer drawings



NOTE:

MATERIAL:

- CONTACT: PHOSPHOR BRONZE T=0.20mm.
- CONNECTOR HOUSING: HIGH TEMPERATURE PLASTIC UL 94V-0. COLOR: BLACK.
- MOULDED INSERT: HIGH TEMPERATURE PLASTIC UL 94V-0. COLOR: BLACK.
- MIDDLE CAGE: COPPER ALLOY T=0.25mm.  
TOP CAGE&BOTTOM CAGE&REAR CAGE: STAINLESS STEEL T=0.25mm.
- LIGHT PIPES: POLYCARBONATE. UL 94V-2. COLOR: CLEAR
- EMI CLIP 1: COPPER ALLOY T=0.20mm.
- EMI CLIP 2: COPPER ALLOY T=0.06mm.

PLATED:

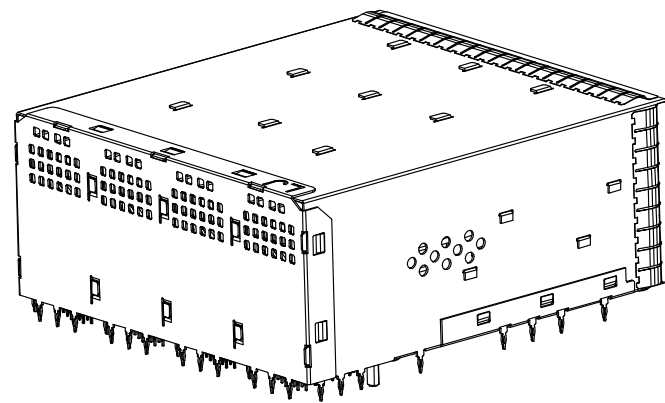
- CONTACT AREA : PLATING GOLD 0.76 MICROMETERS MINIMUM  
OVER 1.27 MICROMETERS MINIMUM NICKEL.
- CONTACT NEEDLE EYE: 0.5~2.54 MICROMETERS MATTE TIN  
OVER 1.27 MICROMETERS MINIMUM NICKEL.
- EMI CLIP: PLATING NICKEL 0.76~2.54 MICROMETERS.

MECHANICAL REQUIREMENT:

- DURABILITY: 100 CYCLES MINIMUM.
- INSERTION AND EXTRACTION FORCE: 40N MAXIMUM & 12.5N MAXIMUM

ENVIRONMENTAL:

- LOW LEVEL CONTACT RESISTANCE(LLCR):  
 $\Delta R$  20 MILLIOHMS MAXIMUM FOR SHIELD AND SIGNAL CONTACTS.
- WITHSTANDING VOLTAGE: 300V AC/MAXIMUM.
- INSULATION RESISTANCE:  $1 \times 10^9$  OHMS MINIMUM.
- RATINGS CURRENT: 0.6 Amps MAXIMUM.
- RATINGS VOLTAGE: 30 volts DC.
- OPERATION: -40°C~+85°C.
- STORAGE: -40°C~+85°C.
- ROHS COMPLIANT

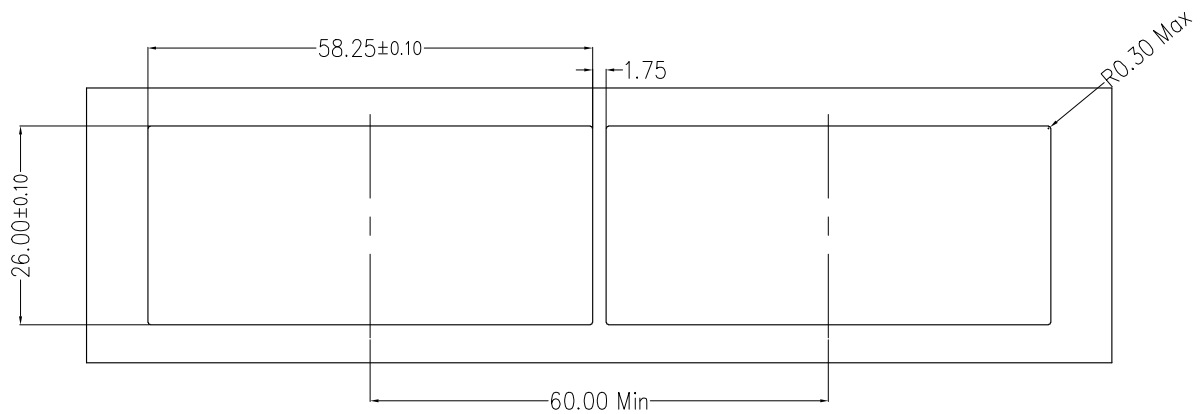


B	UPDATE DRAWING		Lily
A	NEW DRAWING		Shmily
版次	修改说明	ECN 编号	核准

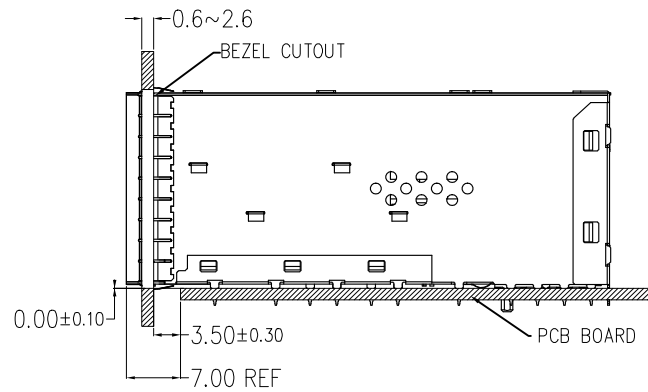
自由公差		设计	
长度尺寸	角度尺寸		
x. ±0.25	x' ±0.5°	Jason	2020.05.15
.X ±0.25	.X' ±0.5°	审核	Carry
.XX ±0.20	.XX' ±0.5°		
.XXX ±0.15		核准	Lily
单位	mm	比例	1:1
A4	页次	1 of 3	

苏州沃虎电子科技有限公司 SUZHOU WOHU ELECTRONIC TECHNOLOGY CO.,LTD	
品名	高速接口28G (14.00mm) 2x4 Connector WITH OUTER LIGHTPIPE
料号	81-174-50003-1
图号	E8119012101-C
版本	B

Customer drawings



BEZEL CUT-OUT CENTER SPACING DETAIL  
BEZEL THICKNESS: 0.6-2.6



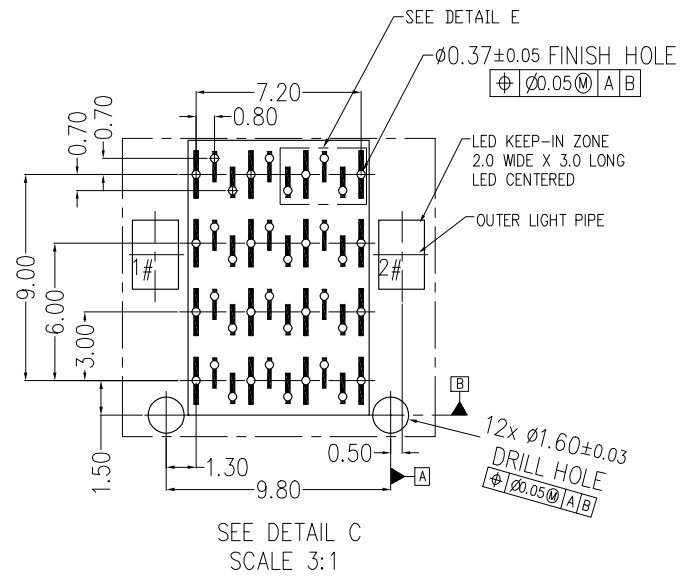
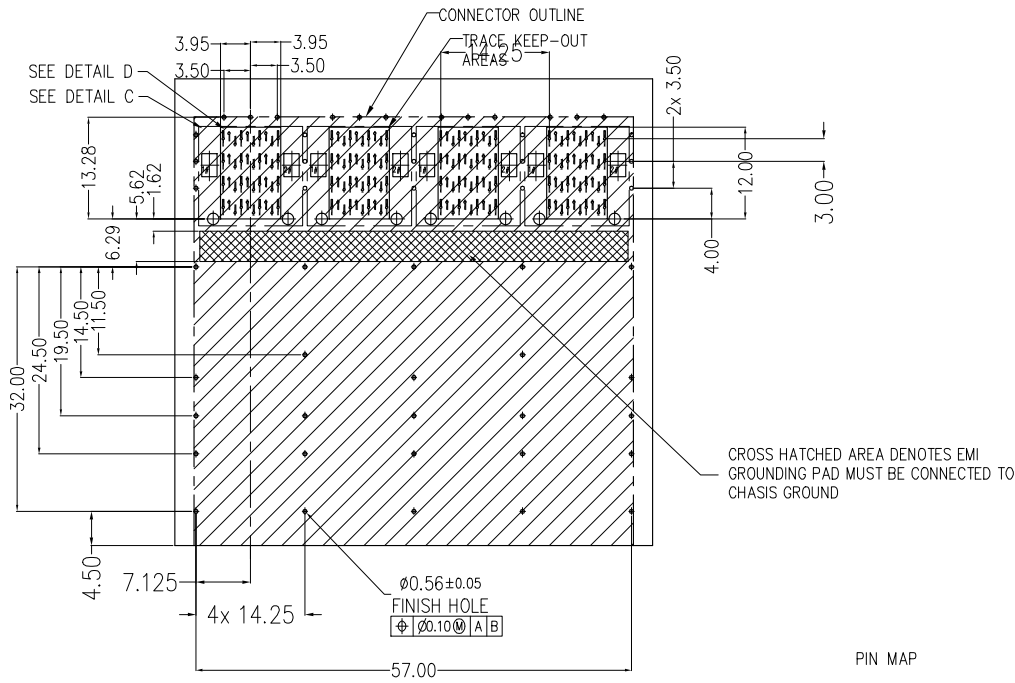
B	UPDATE DRAWING		Lily	
A	NEW DRAWING		Shmily	
版次	修改说明	ECN 编号	核准	

自由公差		设计	
长度尺寸	角度尺寸	设计	日期
X. ±0.25	X' ±0.5'	Jason	2020.05.15
.X ±0.25	.X' ±0.5'	审核	
.XX ±0.20	.XX' ±0.5'	Carry	2020.05.15
.XXX ±0.15		核准	
单位 mm	比例 1:1	Lily	2020.05.15
A4	页次 2of3		

**苏州沃虎电子科技有限公司**  
SUZHOU WOHU ELECTRONIC TECHNOLOGY CO.,LTD

品名	高速接口28G (14.00mm) 2x4 Connector WITH OUTER LIGHTPIPE
料号	81-174-50003-1
图号	E8119012101-C
版本	B

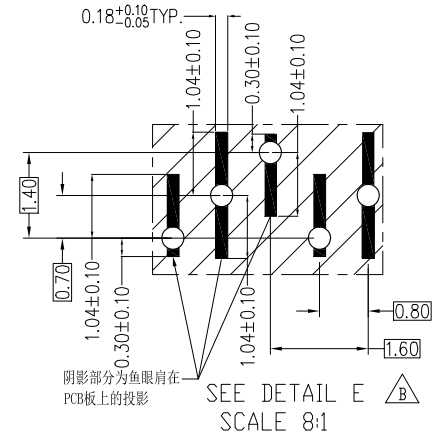
Customer drawings



PIN MAP

- T19 ○T16 ○T13
- T20 ○T17 ○T14 ○T11
- T18 ○T15 ○T12
- T2 ○T5 ○T8
- T1 ○T4 ○T7 ○T10
- T3 ○T6 ○T9
- L9 ○L6 ○L3
- L10 ○L7 ○L4 ○L1
- L8 ○L5 ○L2
- L12 ○L15 ○L18
- L11 ○L14 ○L17 ○L20
- L13 ○L16 ○L19

SEE DETAIL D  
SCALE 2.5:1



B	UPDATE DRAWING	Lily
A	NEW DRAWING	Shmily
版次	修改说明	ECN 编号

自由公差		设计	2020.05.15
长度尺寸	角度尺寸		
X, .X, .XX, .XXX	±0.25, ±0.25, ±0.20, ±0.15	Jason	2020.05.15
X', .X', .XX', .XX'	±0.5°, ±0.5°, ±0.5°, ±0.5°	审核 Carry	2020.05.15
单位	mm	比例	1:1
A4	页次	3of3	核准 Lily

苏州沃虎电子科技有限公司 SUZHOU WOHU ELECTRONIC TECHNOLOGY CO.,LTD	
品名	高速接口28G (14.00mm) 2x4 Connector WITH OUTER LIGHTPIPE
料号	81-174-50003-1
图号	E8119012101-C
版本	B