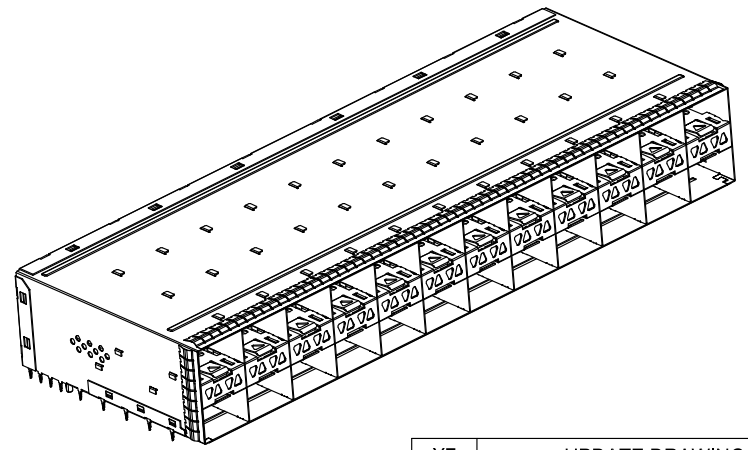
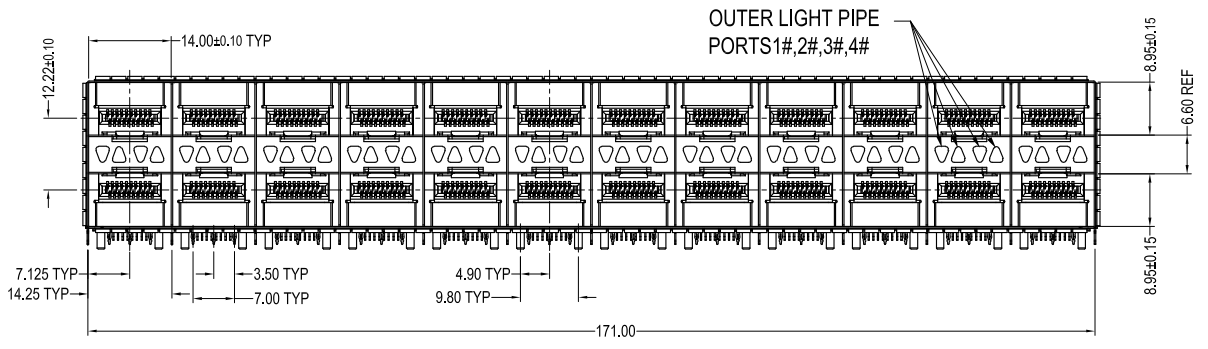
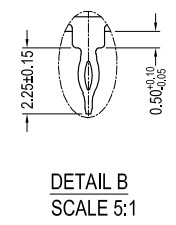
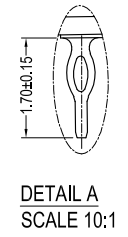
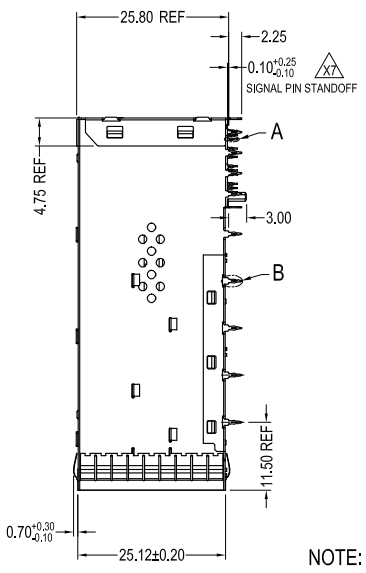
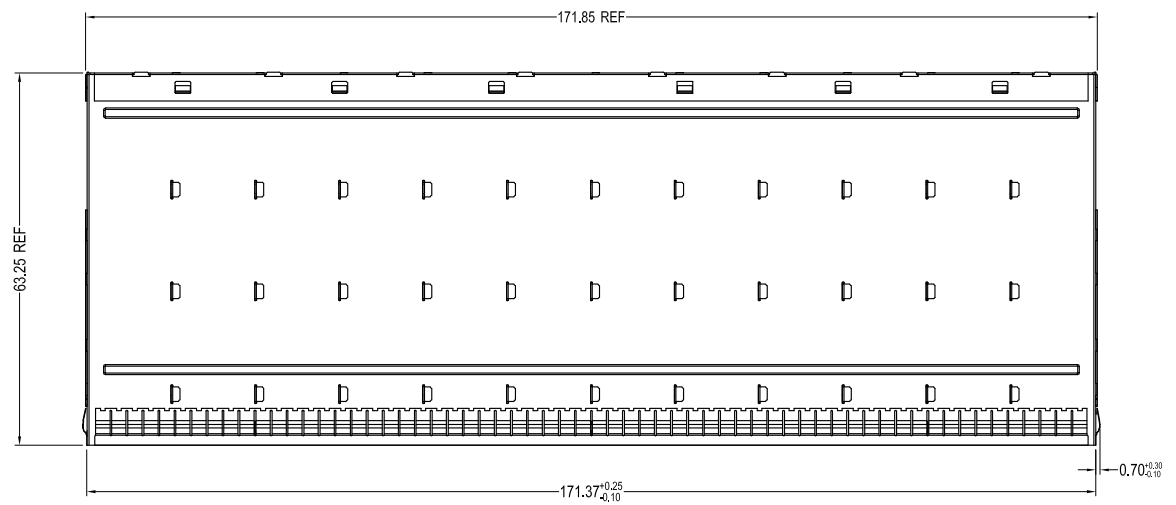


Customer drawings



NOTE:
MATERIAL:
 1. CONTACT: COPPER ALLOY T=0.18mm.
 2. CONNECTOR HOUSING: HIGH TEMPERATURE PLASTIC UL 94V-0. COLOR: BLACK.
 3. MOULDED INSERT: HIGH TEMPERATURE PLASTIC UL 94V-0. COLOR:BLACK.
 4. CAGE:
 TOP CAGE:STAINLESS STEEL,T=0.25mm.
 BOTTOM CAGE :STAINLESS STEEL ,T=0.25mm.
 MID CAGE :COPPER ALLOY ,T=0.25mm.
 WALL CAGE:COPPER ALLOY ,T=0.25mm.
 BACK CAGE:STAINLESS STEEL , T=0.25mm.
 5. LIGHT PIPES: POLYCARBONATE. UL 94V-2. COLOR:CLEAR
 6. EMI CLIP 1: STAINLESS STEEL ,T=0.20mm.
 7. EMI CLIP 2: COPPER ALLOY, T=0.06mm.
PLATED:
 1. CONTACT AREA : PLATING GOLD 0.76 MICROMETERS MINIMUM OVER 1.27~5.08 MICROMETERS NICKEL.
 2. CONTACT NEEDLE EYE: 0.5~2.54 MICROMETERS MATTE TIN OVER 1.27~5.08 MICROMETERS NICKEL.
 3. EMI CLIP: 0.76~2.54 MICROMETERS TIN OVER 0.76~2.54 MICROMETERS NICKEL.
MECHANICAL REQUIREMENT:
 1. DURABILITY: 100 CYCLES MINIMUM.
 2. INSERTION AND EXTRACTION FORCE: 40N MAXIMUM & 12.5N MAXIMUM
ENVIRONMENTAL:
 1. LOW LEVEL CONTACT RESITANCE(LLCR):
 ΔR 20 MILLIOHMS MAXIMUM FOR SHIELD AND SIGNAL CONTACTS.
 2. WITHSTANDING VOLTAGE: 300V AC/MAXIMUM.
 3. INSULATION RESISTANCE: 1×10^9 OHMS MINIMUM.
 4. RATINGS CURRENT: 0.5 Amps MAXIMUM.
 5. RATINGS VOLTAGE: 30 volts DC.
 6. OPERATION: -40°C~+85°C.
 7. STORAGE: -55°C~+85°C.
 8. ROHS COMPLIANT

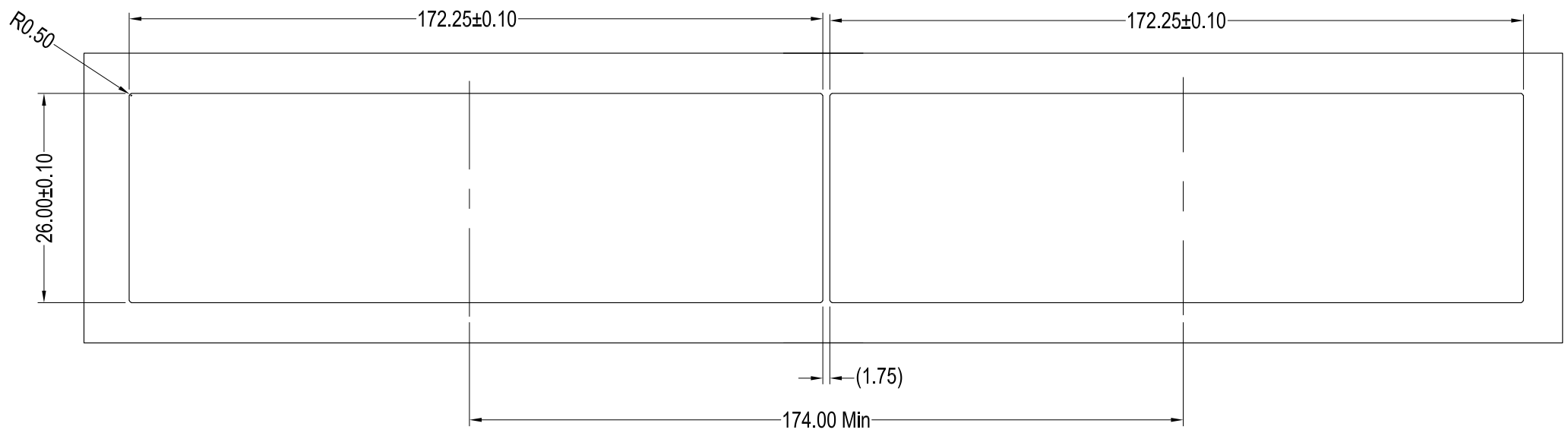
X7	UPDATE DRAWING		Carry
X6	UPDATE DRAWING		Carry
X5	UPDATE DRAWING		Carry
X4	UPDATE DRAWING		Carry
X3	UPDATE DRAWING		Carry
版次	修改说明	ECN 编号	核准

自由公差		设计	
长度尺寸	角度尺寸	Jeshone	2020.03.10
X. ±0.25	X° ±0.5°	审核	Lemon
.X ±0.25	.X° ±0.5°		
.XX ±0.20	.XX° ±0.5°	核准	Carry
.XXX ±0.15			
单位	mm	比例	1:1
A4	页次	1 of 3	

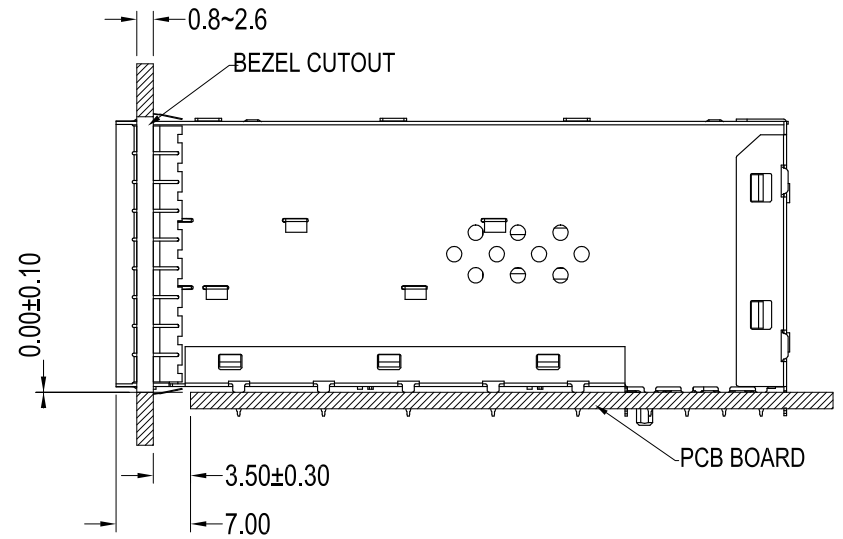


品名	高速接口28G (14.00mm) 2x12 Connector WITH INTER & OUTER LIGHTPIPE
料号	81-190-00001-1
图号	E8118122701-C
版本:	X7

Customer drawings



BEZEL CUT-OUT CENTER SPACING DETAIL
BEZEL THICKNESS:0.8-2.6



X7	UPDATE DRAWING		Carry
X6	UPDATE DRAWING		Carry
X5	UPDATE DRAWING		Carry
X4	UPDATE DRAWING		Carry
X3	UPDATE DRAWING		Carry
版次	修改说明	ECN 编号	核准

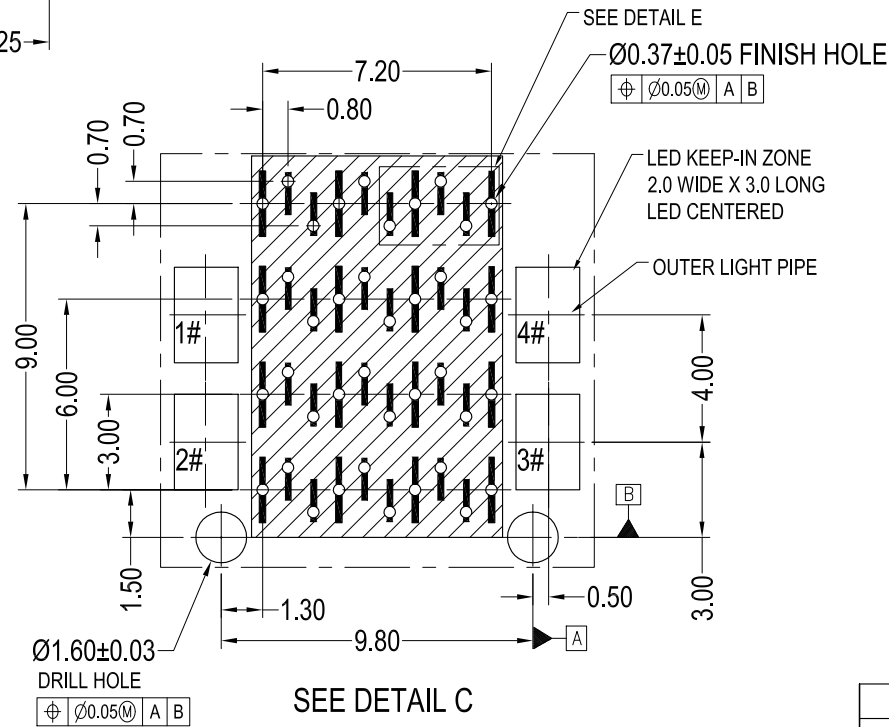
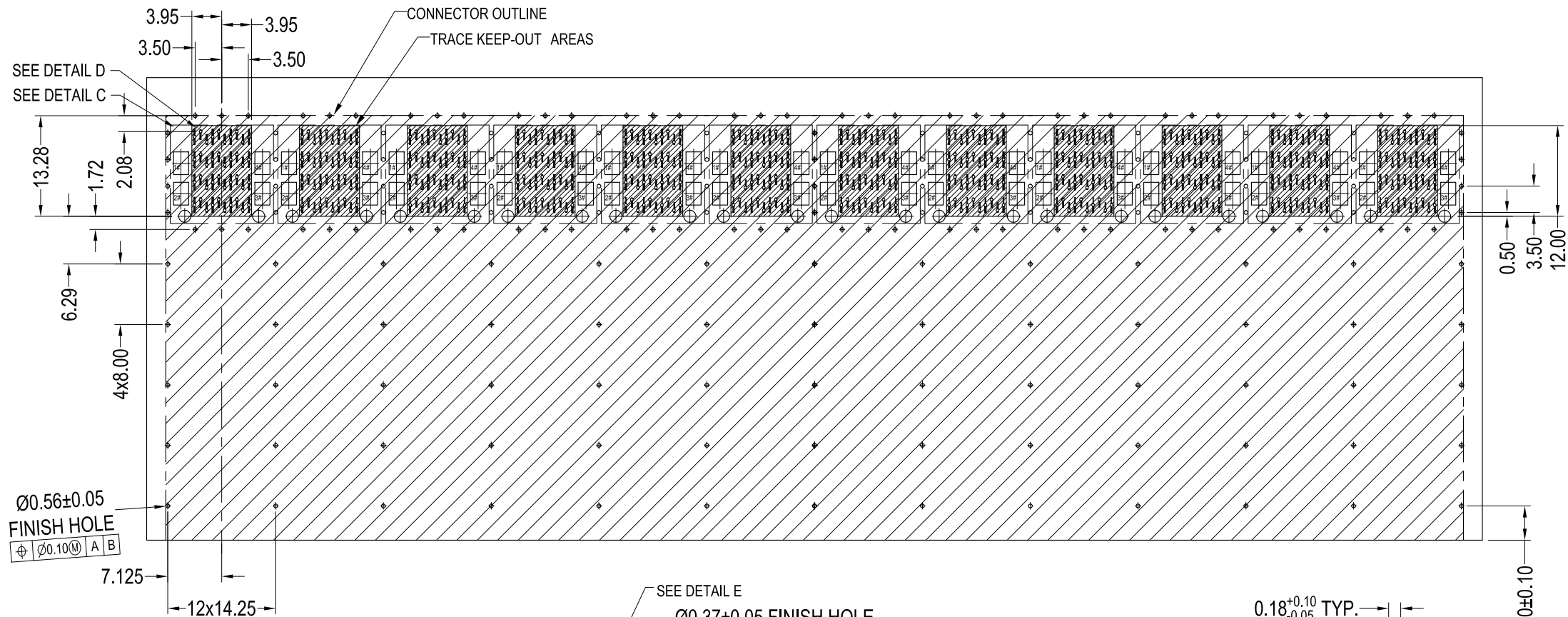
自由公差			
长度尺寸		角度尺寸	
X.	±0.25	X°	±0.5°
.X	±0.25	.X°	±0.5°
.XX	±0.20	.XX°	±0.5°
.XXX	±0.15		
单位	mm	比例	1:1
A4	☉	页次	2 of 3

设计	Jeshone	2020.03.10
审核	Lemon	2020.03.10
核准	Carry	2020.03.10

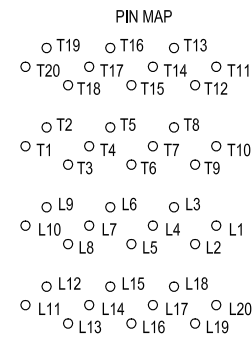
苏州沃虎电子科技有限公司
SUZHOU WOHU ELECTRONIC TECHNOLOGY CO.,LTD

品名	高速接口28G (14.00mm) 2x12 Connector WITH INTER & OUTER LIGHTPIPE
料号	81-190-00001-1
图号	E8118122701-C
版本:	X7

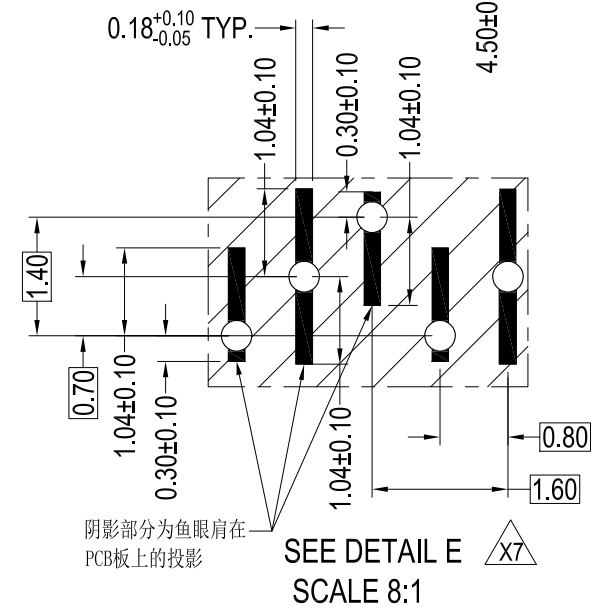
Customer drawings



SEE DETAIL C
SCALE 3:1



SEE DETAIL D
SCALE 2.5:1



SEE DETAIL E
SCALE 8:1

X7	UPDATE DRAWING		Carry
X6	UPDATE DRAWING		Carry
X5	UPDATE DRAWING		Carry
X4	UPDATE DRAWING		Carry
X3	UPDATE DRAWING		Carry
版次	修改说明	ECN 编号	核准

自由公差		设计	
长度尺寸	角度尺寸	Jeshone	2020.03.10
X. ±0.25	X° ±0.5°	审核	Lemon
.X ±0.25	.X° ±0.5°		
.XX ±0.20	.XX° ±0.5°	核准	Carry
.XXX ±0.15	.XXX° ±0.5°		
单位	mm	比例	1:1
A4	页次	3 of 3	

苏州沃虎电子科技有限公司
SUZHOU WOHU ELECTRONIC TECHNOLOGY CO.,LTD

品名	高速接口28G (14.00mm) 2x12 Connector WITH INTER & OUTER LIGHTPIPE
料号	81-190-00001-1
图号	E8118122701-C
版本:	X7