

# APPROVED SHEET

CUSTOMER: \_\_\_\_\_

CUSTOMER P/N: \_\_\_\_\_

JWD P/N:

S04313BA

REV:

R1

DESCRIPTION: \_\_\_\_\_

BMS Application

CUSTOMER APPROVAL		COMPANY APPROVAL	
INSPECTED BY:		ISSUED BY:	Bob
CHECKED BY:		CHECKED BY:	
APPROVED BY:		APPROVED BY:	
APPROVED DATE:		ISSUED DATE:	2022/10/20

Please Return One Copy to Us After Approved,TKS! (承认后请回寄一份,谢谢)



四川经纬达科技集团有限公司

Sichuan Jingweida Technology Group Co., Ltd

地址: 四川省绵阳市高新区永兴镇永兴工业园

ADD: YongXing Industrial of High-tech Zone In Mianyang City, Sichuan  
Province

TEL: +86-816-2561202 FAX: +86-816-2562518

E-MAIL: myjwd@myjwd.com

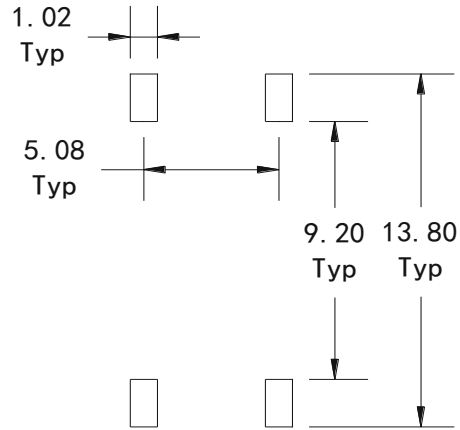
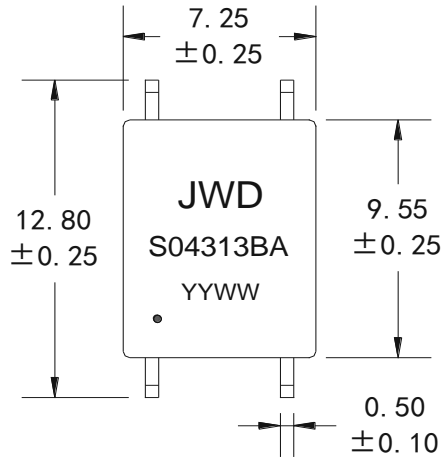
WEB: www.myjwd.com



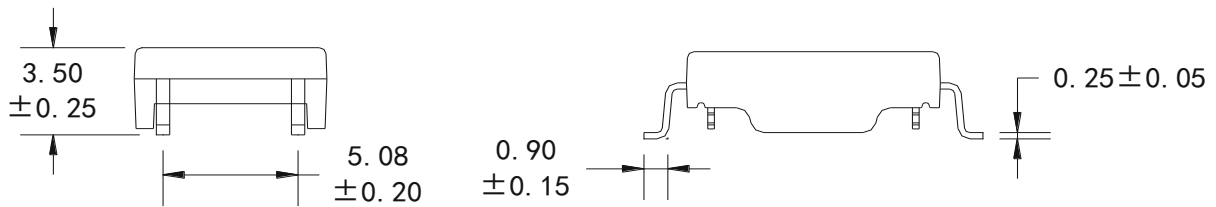
# 四川经纬达科技集团有限公司

Sichuan Jingweida Technology Group Co., Ltd

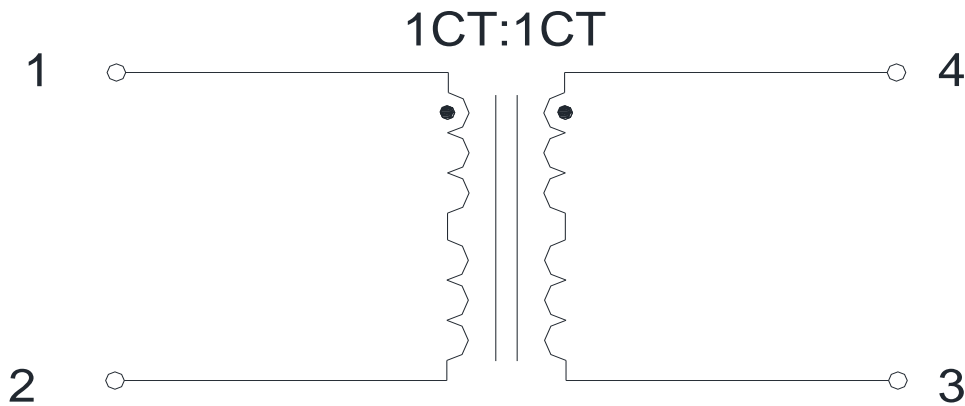
## A. MECHANICAL(unit:mm)



Suggested PAD Layout



## B. SCHEMATICS



DESCRIPTION	JWD P/N	SPEC NO.	REV: R1
BMS Application	S04313BA		PAGE: 1/3



# 四川经纬达科技集团有限公司

Sichuan Jingweida Technology Group Co., Ltd

## C. ELECTRICAL SPECIFICATIONS @25°C

1. OCL: 350uH min @ 100 KHz, 0.1V,(25°C)  
300uH min @ 100 KHz, 0.1V,(-40~+125°C)
2. Leakage Inductance: 0.5uH Max @ 100KHz, 0.1V
3. DCR: 800mΩ Max
4. Turns Ratio: 1CT:1CT±5%
5. Insertion Loss: -0.5 dB Max @ 4 MHz
6. Return Loss: -20 dB Min @ 4 MHz
7. Isolation Hipot: 3000VAC 1mA 60s or 3500VAC 1mA 2s
8. Operating temperature -40°C to +125°C
9. Storage temperature -40°C to +125°C
10. Qualification: Meet AEC-Q200
11. RoHS compliant.

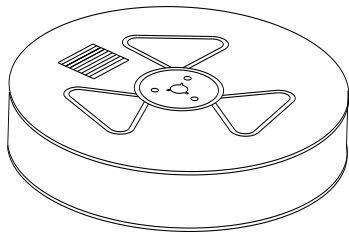
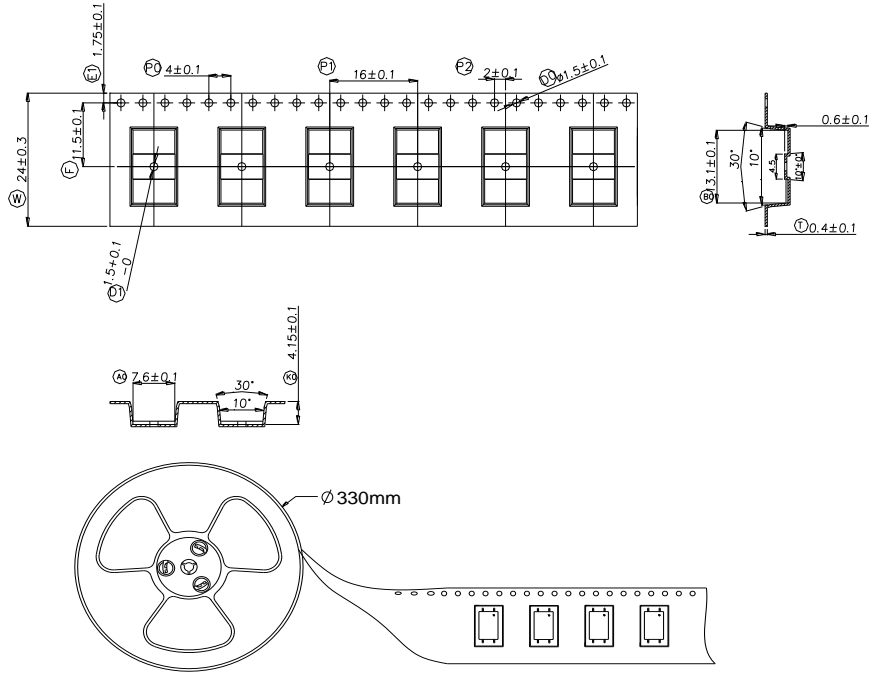
DESCRIPTION	JWD P/N	SPEC NO.	REV: R1
BMS Application	S04313BA		PAGE: 2/3



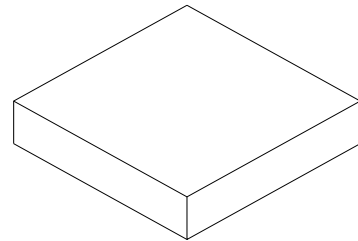
# 四川经纬达科技集团有限公司

Sichuan Jingweida Technology Group Co., Ltd

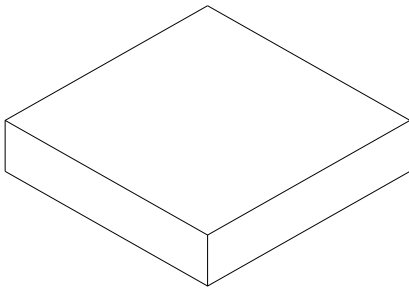
## D. 包装信息(PACKAGE SPECIFICATION)



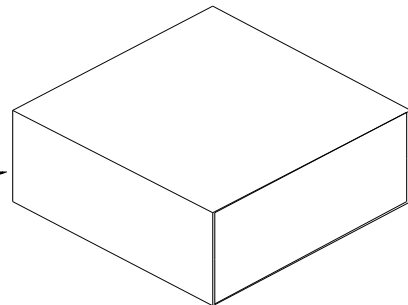
Three Reel



Inner Carton



Two Inner Carton



Export Carton

### Package Quantity:

One Reel=900Pcs

One Inner Carton=900\*3=2700Pcs

One Export Carton=2700\*2=5400Pcs

DESCRIPTION	JWD P/N	SPEC NO.	REV: R1
BMS Application	S04313BA		PAGE: 3/3