

S+C02

NOTE:
MATERIAL:

- CONTACT: PHOSPHOR BRONZE.
- CONNECTOR HOUSING: LCP UL 94V-0. COLOR: BLACK.
- MOULDED INSERT: HIGH TEMPERATURE PLASTIC UL 94V-0. COLOR:BLACK.
- CAGE: COPPER ALLOY.
- LIGHT PIPES: POLYCARBONATE. UL 94V-0. COLOR:CLEAR
- LIGHT PIPE HOUSING: PBT UL 94V-0 COLOR:BLACK.
- EMI SPRING: COPPER ALLOY.

PLATED:

- CONTACT MATING AREA : PLATING GOLD OVER 1.27 MICROMETERS MINIMUM NICKEL.
- CONTACT NEEDLE EYE: 2.54 MICROMETERS MINIMUM MATTE TIN OVER 1.27 MICROMETERS MINIMUM NICKEL.

MECHANICAL REQUIREMENT:

- DURABILITY: 100 CYCLES MIN.
- INSERTION AND EXTRACTION FORCE: 40N MAX & 12.5N MAX

ENVIRONMENTAL:

- LOW LEVEL CONTACT RESITANCE(LLCR) :
ΔR 10 MILLIOHMS MAXIMUM FOR SHIELD AND SIGNAL CONTACTS.
- DIELECTRIC WITHSTANDING VOLTAGE: 300V AC/MAX.
- INSULATION RESISTANCE: 1×10^9 OHMS MINIMUM.
- RATINGS CURRENT: 0.5 AMPS MAX.
- RATINGS VOLTAGE: 30 VOLTS DC/AC(RMS) MAX.
- OPERATION: $-40^{\circ} \text{C} \sim +85^{\circ} \text{C}$.
- STORAGE: $-55^{\circ} \text{C} \sim +105^{\circ} \text{C}$.
- ROHS COMPLIANT

| REV. 版本 | ECN NO. 变更说明 | DATE 日期 |
|---------|--------------|--------------|
| A | 更新图面 | 2015. 10. 30 |
| B | 新增料号 | 2015. 11. 26 |
| C | 图面整理 | 2017. 05. 27 |
| D | 新增料号 | 2017. 08. 25 |
| E | 新增料号 | 2017. 12. 12 |
| F | 新增料号 | 2018. 01. 23 |
| G | 图面刷新 | 2020. 06. 13 |
| H | 新增料号 | 2021. 07. 01 |

A

A

B

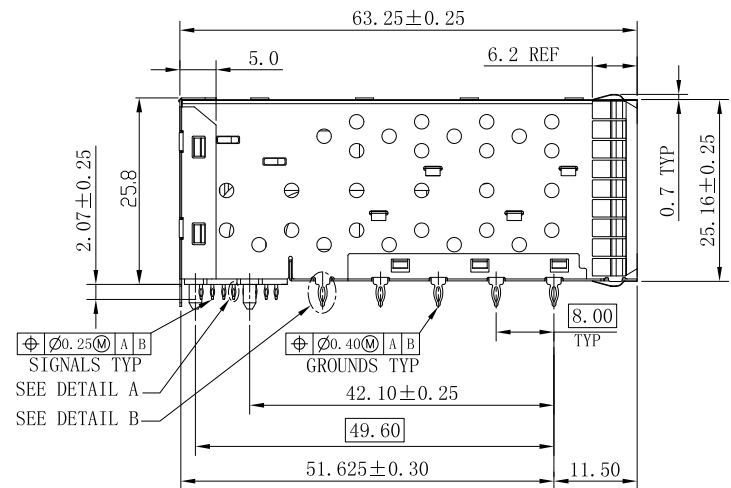
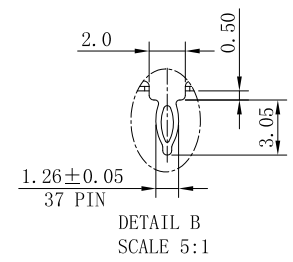
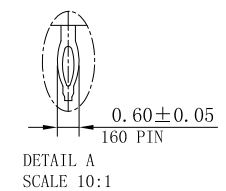
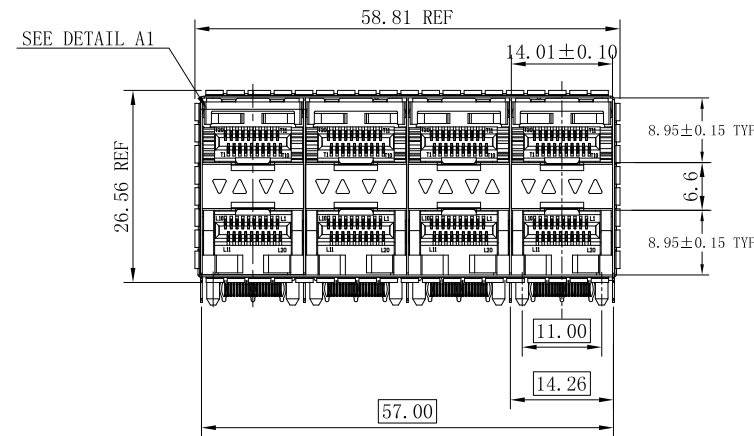
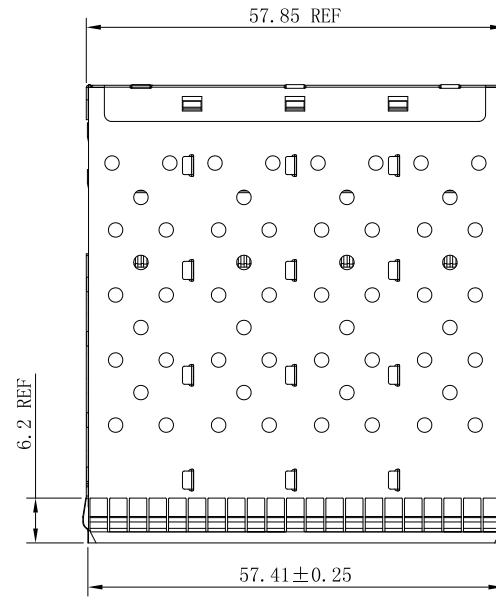
B

C

C

D

D



RoHS Compliant

WOHU 苏州沃虎电子科技有限公司
Tel:4001048018 http://www.wohu-tek.com

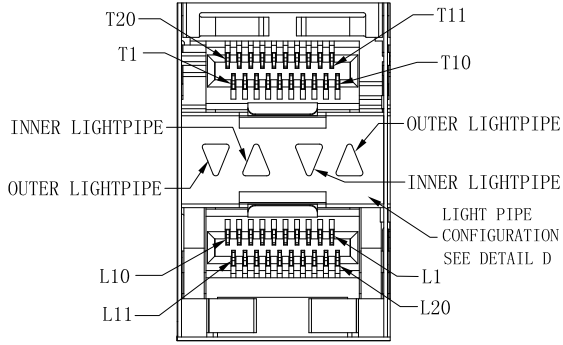
TOLERANCES 公差
.X ±0.25
.XX ±0.13
.XXX ±0.10
ANGLES: ±2°

| | | | | | | |
|--------------------------|----------|--------------|-------------|-------------|--------------------|---------|
| Material: 材质 | SEE NOTE | Designed: 设计 | Hanmian Ye | NAME: 名称 | SFP+ 2x4 CONNECTOR | |
| Finish: 电镀 | SEE NOTE | Checked: 审核 | Qianpu Zhao | DWG NO: 图号 | ESFP11092601-C | REV. 版本 |
| SHEET 1 OF 5 第 1 页 共 5 页 | | Approved: 核准 | Robin | PART NO: 料号 | SEE TABLE | H |

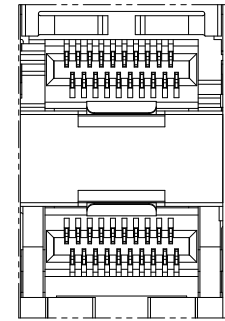
| | | | | | |
|------|---------|----------|---------|--------------|-----|
| 第三视角 | A4 SIZE | SCALE 比例 | UNIT 单位 | CUSTOMER: 客户 | N/A |
| | | 2:1 | mm | MODEL NO: 模号 | N/A |

S+C02

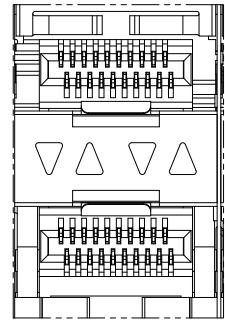
| REV. 版本 | ECN NO. 变更说明 | DATE 日期 |
|---------|--------------|---------|
| | | |



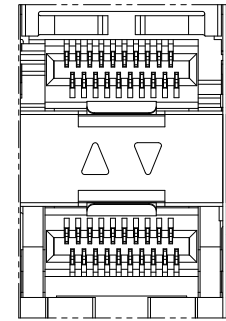
DETAIL A1
SCALE 4:1



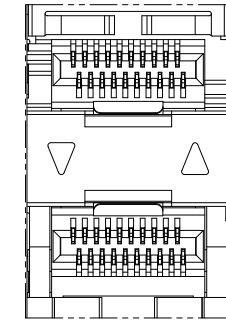
TYPE1_NONE LIGHT PIPES



TYPE2_4 LIGHT PIPES



TYPE1_3 INNER LIGHT PIPES



TYPE4_2 OUTER LIGHT PIPES

LIGHT PIPE CONFIGURATION
DETAIL D SCALE 2:1

| PART NUMBER | PART NUMBER (OLD) | DESCRIPTION | LIGHT PIPES | CONTACT PALTING GOLD | LOGO | CAGE PLATING |
|--------------|-------------------|------------------------------|------------------------------|-------------------------|------|-------------------------|
| 10715624D006 | | SFP+ 2X4 PRESS FIT CONNECTOR | WITH INNER/OUTER LIGHT PIPES | ▽△▽△ | 15u" | WITHOUT LOGO Ni 30u"MIN |
| 10715624D007 | | SFP+ 2X4 PRESS FIT CONNECTOR | WITH OUTER LIGHT PIPES | ▽ △ | 15u" | WITHOUT LOGO Ni 30u"MIN |
| 10715624D005 | | SFP+ 2X4 PRESS FIT CONNECTOR | WITH INNER LIGHT PIPES | △▽ | 15u" | WITHOUT LOGO Ni 30u"MIN |
| 10715624D004 | | SFP+ 2X4 PRESS FIT CONNECTOR | WITHOUT LIGHT PIPES | ▽△▽△ | 15u" | WITHOUT LOGO Ni 30u"MIN |
| 10715624D003 | | SFP+ 2X4 PRESS FIT CONNECTOR | WITH INNER/OUTER LIGHT PIPES | ▽△▽△ | 15u" | WITHOUT LOGO UNPLATED |
| 10715624D008 | | SFP+ 2X4 PRESS FIT CONNECTOR | WITH OUTER LIGHT PIPES | ▽ △ | 15u" | WITHOUT LOGO UNPLATED |
| 10715624D009 | | SFP+ 2X4 PRESS FIT CONNECTOR | WITH INNER LIGHT PIPES | △▽ | 15u" | WITHOUT LOGO UNPLATED |
| 10715524D002 | | SFP+ 2X4 PRESS FIT CONNECTOR | WITHOUT LIGHT PIPES | ▽△▽△ | 15u" | WITHOUT LOGO UNPLATED |
| 10715624F029 | | SFP+ 2X4 PRESS FIT CONNECTOR | WITH INNER/OUTER LIGHT PIPES | ▽△▽△ | 30u" | WITHOUT LOGO Ni 30u"MIN |
| 10715524F009 | | SFP+ 2X4 PRESS FIT CONNECTOR | WITHOUT LIGHT PIPES | ▽△▽△ | 30u" | WITHOUT LOGO Ni 30u"MIN |
| 10715624F030 | | SFP+ 2X4 PRESS FIT CONNECTOR | WITH OUTER LIGHT PIPES | ▽ △ | 30u" | WITHOUT LOGO Ni 30u"MIN |
| 10715624F020 | | SFP+ 2X4 PRESS FIT CONNECTOR | WITH INNER LIGHT PIPES | △▽ | 30u" | WITHOUT LOGO Ni 30u"MIN |
| 10715624F009 | B869S4-0030-Y033 | SFP+ 2X4 PRESS FIT CONNECTOR | WITH INNER/OUTER LIGHT PIPES | ▽△▽△ | 30u" | WITHOUT LOGO UNPLATED |
| 10715524F010 | B869S4-0030-Y034 | SFP+ 2X4 PRESS FIT CONNECTOR | WITHOUT LIGHT PIPES | ▽△▽△ | 30u" | WITHOUT LOGO UNPLATED |
| 10715624F031 | B869S4-0030-Y035 | SFP+ 2X4 PRESS FIT CONNECTOR | WITH OUTER LIGHT PIPES | ▽ △ | 30u" | WITHOUT LOGO UNPLATED |
| 10715624F032 | B869S4-0030-Y036 | SFP+ 2X4 PRESS FIT CONNECTOR | WITH INNER LIGHT PIPES | △▽ | 30u" | WITHOUT LOGO UNPLATED |

RoHS Compliant

WOHU 苏州沃虎电子科技有限公司
Tel:4001048018 http://www.wohu-tek.com

TOLERANCES
公差

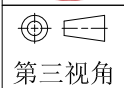
| | |
|------|-------|
| .X | ±0.25 |
| .XX | ±0.13 |
| .XXX | ±0.10 |

ANGLES: ±2°

| | |
|-----------------|----------|
| Material: 材质 | SEE NOTE |
| Finish: 电镀 | SEE NOTE |

| | |
|-----------------|-------------|
| Designed: 设计 | Hanmian Ye |
| Checked: 审核 | Qianpu Zhao |
| Approved: 核准 | Robin |

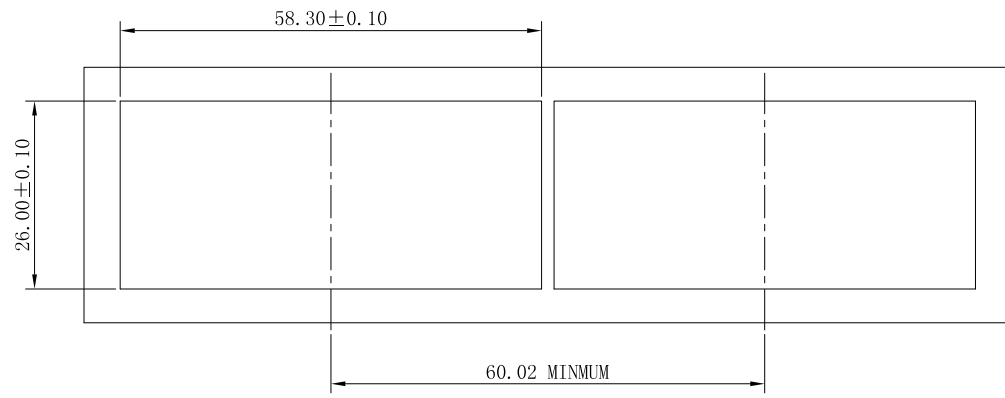
| | | |
|----------------|--------------------|------------|
| NAME: 名称 | SFP+ 2x4 CONNECTOR | |
| DWG NO: 图号 | ESFP11092601-C | REV. 版本 |
| PART NO: 料号 | SEE TABLE | H |



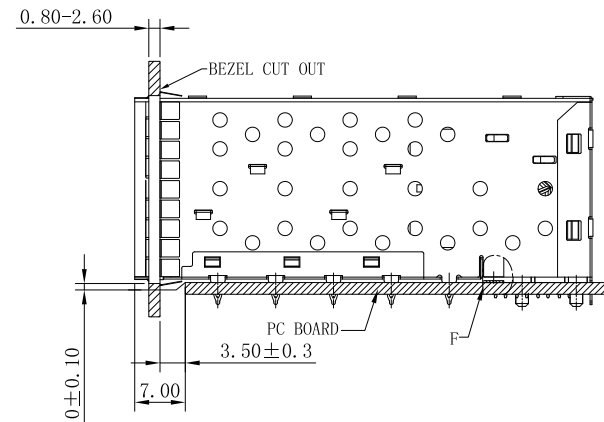
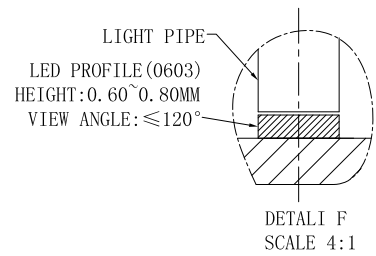
| | | | | |
|------------|-------------|-----------------|-----------------|-----|
| A4 SIZE | SCALE 比例 | UNIT 单位 | CUSTOMER: 客户 | N/A |
| 2:1 | mm | MODEL NO: 模号 | N/A | |

SHEET 2 OF 5
第 页 共 页

| REV. 版本 | ECN NO. 变更说明 | DATE 日期 |
|---------|--------------|---------|
| | | |



BEZEL CUT-OUT CENTER SPACING DETAIL
BEZEL THICKNESS: 0.8-2.6



RoHS Compliant

WOHU 苏州沃虎电子科技有限公司
Tel:4001048018 <http://www.wohu-tek.com>

TOLERANCES
公差
.X ±0.25
.XX ±0.13
.XXX ±0.10
ANGLES: ±2°

Material:
材质
Finish:
电镀

SEE NOTE
SEE NOTE

Designed:
设计
Checked:
审核
Approved:
核准

Hanmian Ye
Qianpu Zhao
Robin

NAME:
名称
DWG NO:
图号
PART NO:
料号

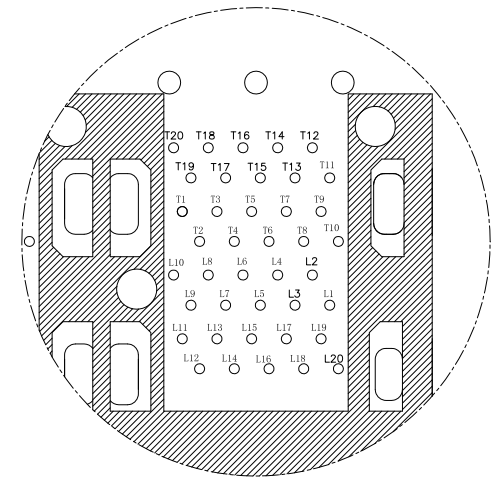
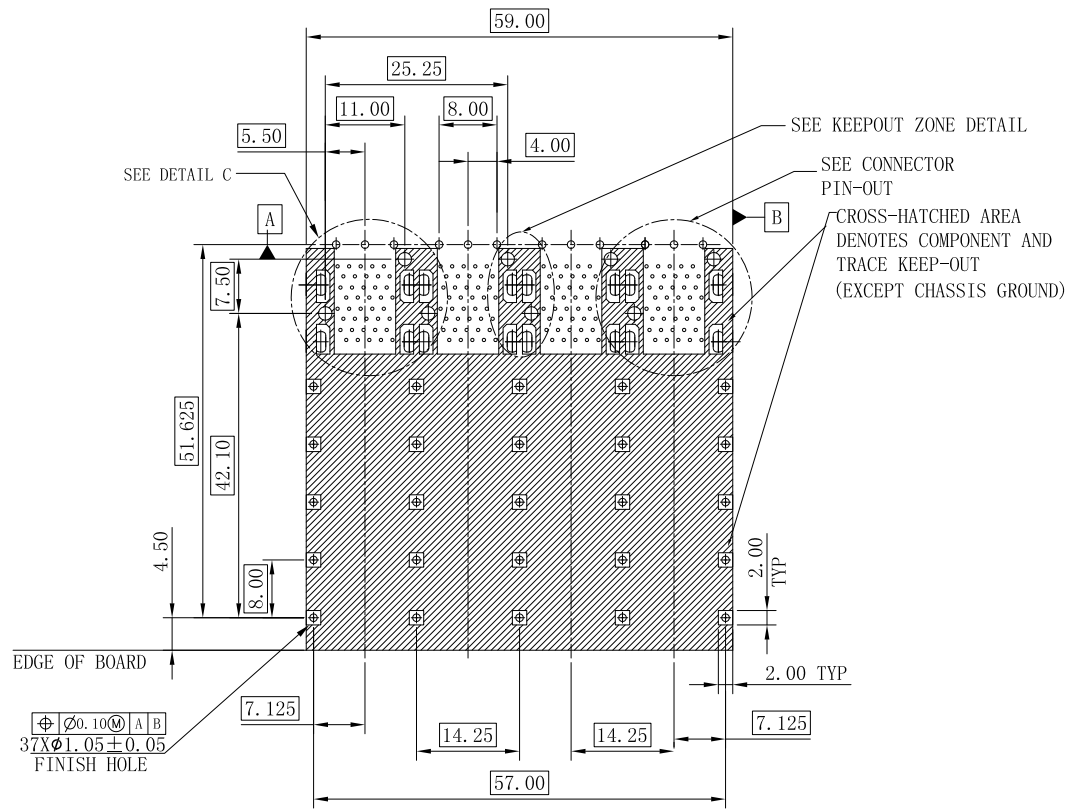
SFP+ 2x4 CONNECTOR
ESFP11092601-C
SEE TABLE

REV.
版本
H

| | | | | | |
|------|------------|-------------|------------|-----------------|-----|
| 第三视角 | A4 SIZE | SCALE 比例 | UNIT 单位 | CUSTOMER: 客户 | N/A |
| | | 2:1 | mm | MODEL NO: 模号 | N/A |

SHEET 3 OF 5
第 3 页 共 5 页

| REV. 版本 | ECN NO. 变更说明 | DATE 日期 |
|---------|--------------|---------|
| | | |



RECOMMENDED PCB LAYOUT-COMPONENT SIDE
RECOMMENDED PCB THICKNESS-2.63 MM

THE ENTIRE AREA OF THE CONNECTOR FOOTPRINT
TO BE CONSIDERED THE KEEP OUT AREA FOR COMPONENTS
(OTHER THAN LIGHT PIPE LED'S)
THIS AREA IS INDICATED BY THE DASHED LINE

RoHS Compliant

WOHU 苏州沃虎电子科技有限公司
Tel:4001048018 http://www.wohu-tek.com

TOLERANCES
公差
.X ±0.25
.XX ±0.13
.XXX ±0.10
ANGLES: ±2°

Material: 材质 SEE NOTE
Finish: 电镀 SEE NOTE
SHEET 4 OF 5
第 4 页 共 5 页

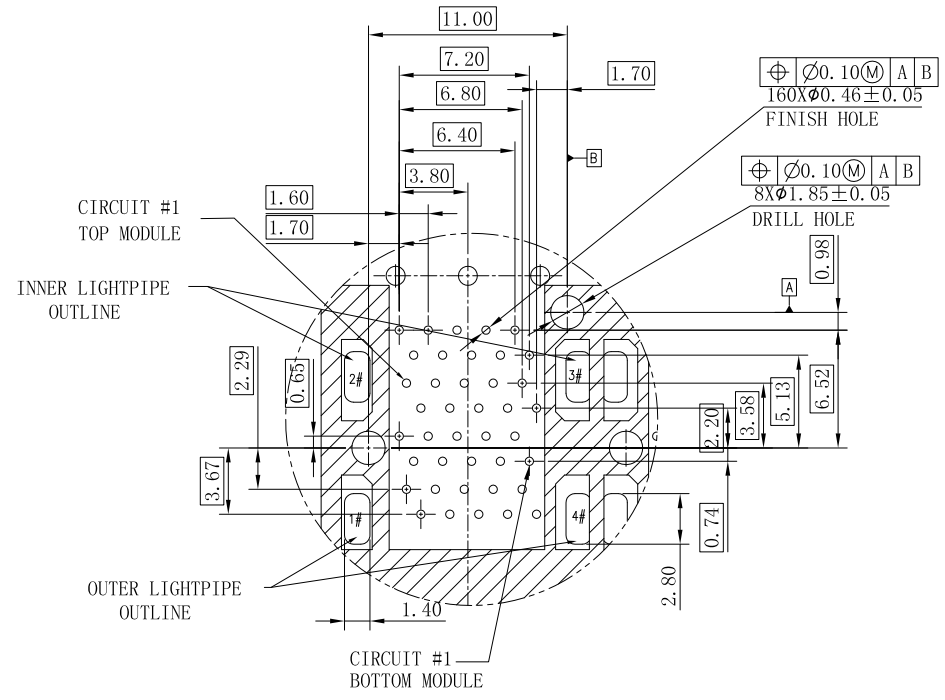
Designed: 设计 Hanmian Ye
Checked: 审核 Qianpu Zhao
Approved: 核准 Robin

| | | | |
|-------------|--------------------|---------|---|
| NAME: 名称 | SFP+ 2x4 CONNECTOR | REV. 版本 | H |
| DWG NO: 图号 | ESFP11092601-C | | |
| PART NO: 料号 | SEE TABLE | | |

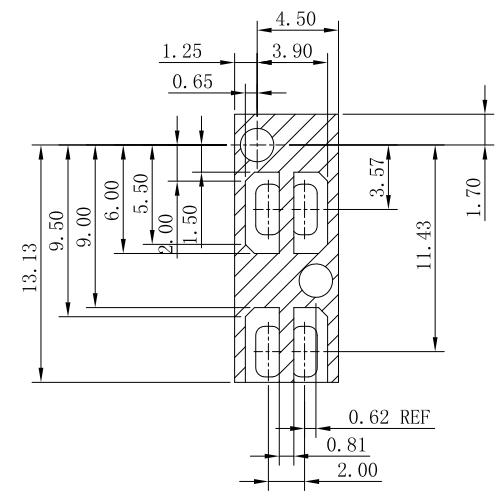
第三视角
A4
SIZE

| | | | | | | | |
|----------|-----|---------|----|--------------|-----|--------------|-----|
| SCALE 比例 | 2:1 | UNIT 单位 | mm | CUSTOMER: 客户 | N/A | MODEL NO: 模号 | N/A |
|----------|-----|---------|----|--------------|-----|--------------|-----|

| REV. 版本 | ECN NO. 变更说明 | DATE 日期 |
|---------|--------------|---------|
| | | |



DETAIL C
SCALE 5:1



KEEP-OUT ZONE
DETAIL SCALE 5:1

RoHS Compliant

WOHU 苏州沃虎电子科技有限公司
Tel:4001048018 http://www.wohu-tek.com

TOLERANCES
公差
.X \pm 0.25
.XX \pm 0.13
.XXX \pm 0.10
ANGLES: \pm 2°

| | | | | | | |
|-------------------------|----------|-----------------|-------------|----------------|--------------------|------------|
| Material: 材质 | SEE NOTE | Designed: 设计 | Hanmian Ye | NAME: 名称 | SFP+ 2x4 CONNECTOR | |
| Finish: 电镀 | SEE NOTE | Checked: 审核 | Qianpu Zhao | DWG NO: 图号 | ESFP11092601-C | REV. 版本 |
| SHEET 5 OF 5 第 页 共 页 | | Approved: 核准 | Robin | PART NO: 料号 | SEE TABLE | H |

| | | | | | |
|------|------------|-------------|------------|-----------------|-----|
| 第三视角 | A4 SIZE | SCALE 比例 | UNIT 单位 | CUSTOMER: 客户 | N/A |
| | | 2:1 | mm | MODEL NO: 模号 | N/A |