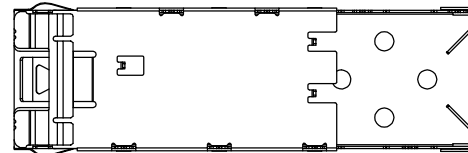
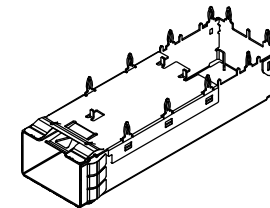
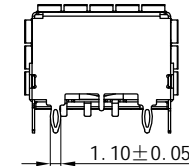
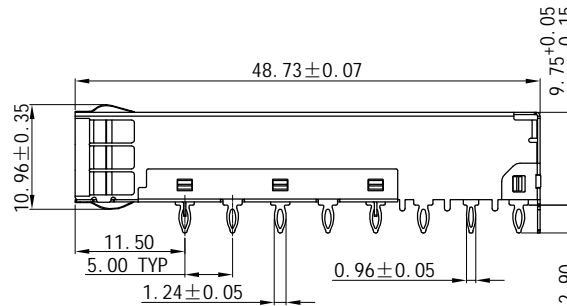
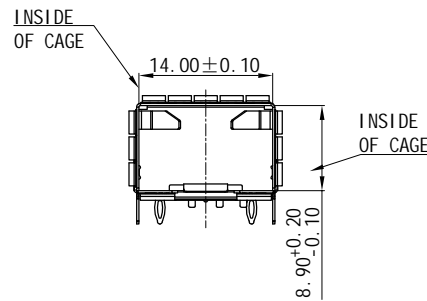
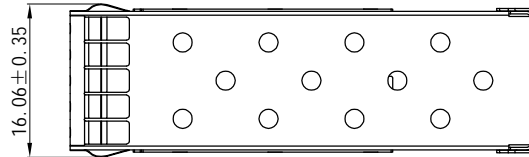
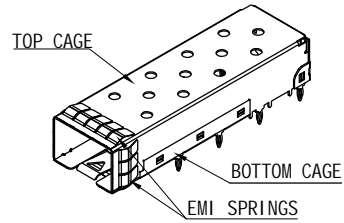


受控编号: QR-SF-002-002

CUSTOMER DRAWING

REV.	CHANGE CONTENT	DATE
A	FIRST ISSUED	20121107
B	Updated drawings	20140109
C	Updated drawings	20140319
D	Updated drawings	20150604
E	Updated drawings	20151022
F	Updated drawings	20160118
G	ADD PART NO.	20180323
H	Updated drawings	20190109
J	Updated drawings	20191125



NOTE:  
 1. MATERIAL  
 CAGE: COPPER-NICKEL ALLOY  
 EMI SPRINGS: PHOSPHOR COPPER  
 2. PLATING  
 CAGE: SEE TABLE  
 EMI SPRINGS: Ni FOR ALL  
 3. TEMPERATURE:  
 OPERATION: -40° C~+85° C  
 STORAGE: -55° C~+105° C

TABLE

YT PART NUMBER	YF PART NUMBER	DESCRIPTION	PLATING
1071011W006	K869-00-Y046	SFP+1X1 CAGE (Press-fit) WITH LOGO	NON-PLATING
29407W00006	K869-00-Y069	SFP+1X1 CAGE (Press-fit) WITHOUT LOGO	NON-PLATING
1071011W035		SFP+1X1 CAGE (Press-fit) WITH LOGO	NICKEL 30u"-80u"
1071011W036		SFP+1X1 CAGE (Press-fit) WITHOUT LOGO	NICKEL 30u"-80u"

RoHS Compliant

**WOHU** 苏州沃虎电子科技有限公司  
 Tel:4001048018 http://www.wohu-tek.com

第三视角	A3 SIZE	SCALE	UNIT	CUSTOMER:	N/A
		比例	单位	客户	N/A
		2:1	mm	MODEL NO:	N/A
				型号	

TOLERANCES  
公差  
 .X ±0.25  
 .XX ±0.13  
 .XXX ±0.10  
 ANGLES: ±2°

Material:  
材质  
SEE NOTE  
 Finish:  
电镀  
SEE NOTE  
 SHEET 1 OF 2  
第 页 共 页

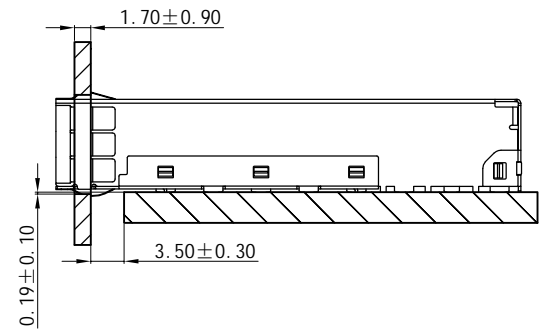
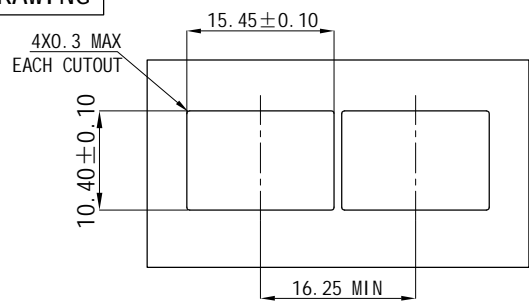
Designed:  
设计  
Henry  
 Checked:  
审核  
Jerry  
 Approved:  
核准  
Robin

NAME:  
名称  
SFP+1X1 CAGE WITH EMI CLIP  
 DWG NO:  
图号  
ESFP10011401-C  
 PART NO:  
料号  
SEE TABLE  
 REV.  
版本  
J

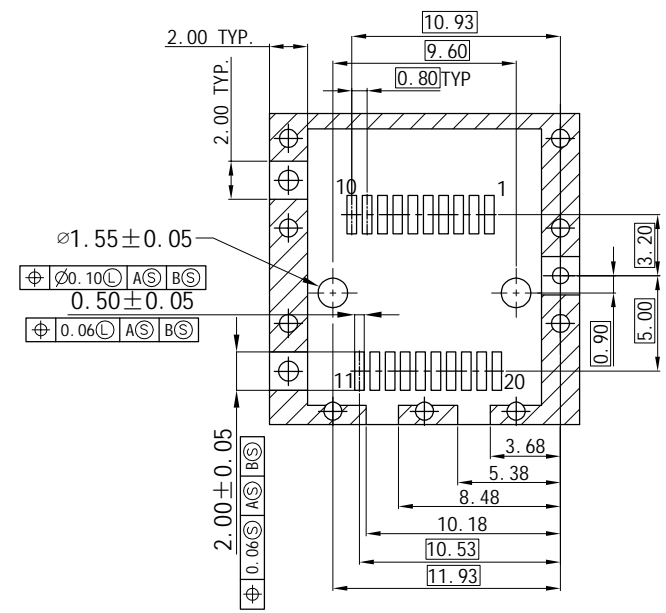
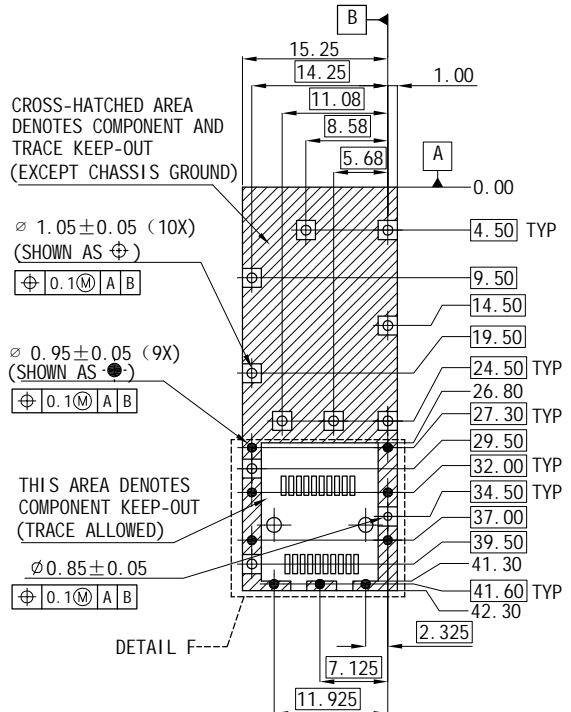
CUSTOMER DRAWING

REV.	CHANGE CONTENT	DATE

A



B



PCB LAYOUT (TOP VIEW)  
PCB TOLERANCES: +/- 0.05

DETAIL F  
SCALE 4 : 1

C

RoHS Compliant

**WOHU** 苏州沃虎电子科技有限公司  
Tel:4001048018 <http://www.wohu-tek.com>

TOLERANCES  
公差  
.X ±0.25  
.XX ±0.13  
.XXX ±0.10  
ANGLES: ±2°

Material:  
材质  
SEE NOTE  
Finish:  
电镀  
SEE NOTE

Designed:  
设计  
Henry  
Checked:  
审核  
Jerry  
Approved:  
核准  
Robi n

NAME:  
名称  
DWG NO:  
图号  
PART NO:  
料号

SFP+1X1 CAGE WITH EMI CLIP  
ESFP10011401-C  
SEE TABLE

REV.  
版本  
J

第三视角  
A3  
SIZE

SCALE  
比例  
2:1  
UNIT  
单位  
mm  
CUSTOMER:  
客户  
MODEL NO:  
型号

N/A  
N/A

SHEET 2 OF 2  
第 2 页 共 2 页

1

2

3

4

A

B

C

D