

S+C02

NOTE:

MATERIAL:

- CONTACT: PHOSPHOR BRONZE.
- CONNECTOR HOUSING: LCP UL 94V-0. COLOR: BLACK.
- MOULDED INSERT: HIGH TEMPERATURE PLASTIC UL 94V-0. COLOR:BLACK.
- CAGE: COPPER ALLOY.
- LIGHT PIPES: POLYCARBONATE. UL 94V-0. COLOR: CLEAR
- LIGHT PIPE HOUSING: PBT UL 94V-0 COLOR:BLACK.
- EMI SPRING: COPPER ALLOY.

PLATED:

- CONTACT MATING AREA : PLATING GOLD OVER 1.27 MICROMETERS MINIMUM NICKEL.
- CONTACT NEEDLE EYE: 2.54 MICROMETERS MINIMUM MATTE TIN OVER 1.27 MICROMETERS MINIMUM NICKEL.

MECHANICAL REQUIREMENT:

- DURABILITY: 100 CYCLES MIN.
- INSERTION AND EXTRACTION FORCE: 40N MAX & 12.5N MAX

ENVIRONMENTAL:

- LOW LEVEL CONTACT RESITANCE(LLCR) :
ΔR 10 MILLIOHMS MAXIMUM FOR SHIELD AND SIGNAL CONTACTS.
- DIELECTRIC WITHSTANDING VOLTAGE: 300V AC/MAX.
- INSULATION RESISTANCE: 1×10^9 OHMS MINIMUM.
- RATINGS CURRENT: 0.5 AMPS MAX.
- RATINGS VOLTAGE: 30 VOLTS DC/AC(RMS) MAX.
- OPERATION: $-40^{\circ} \text{C} \sim +85^{\circ} \text{C}$.
- STORAGE: $-55^{\circ} \text{C} \sim +105^{\circ} \text{C}$.
- ROHS COMPLIANT

REV. 版本	ECN NO. 变更说明	DATE 日期
A	更新图面	2015. 10. 30
B	新增料号	2015. 11. 26
C	图面整理	2017. 05. 27
D	新增料号	2017. 08. 25
E	新增料号	2017. 12. 12
F	新增料号	2018. 01. 23
G	图面刷新	2020. 06. 13
H	新增料号	2021. 07. 01

A

A

B

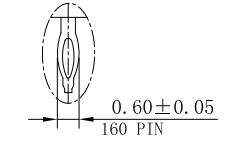
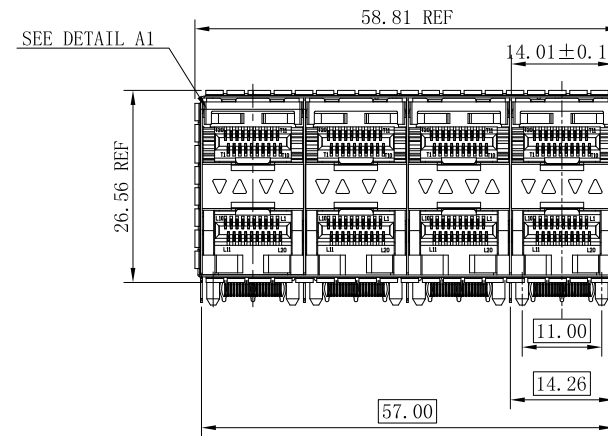
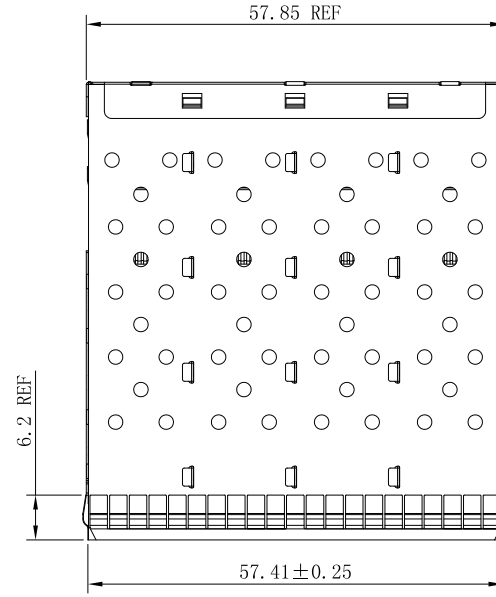
B

C

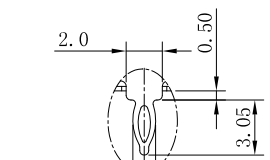
C

D

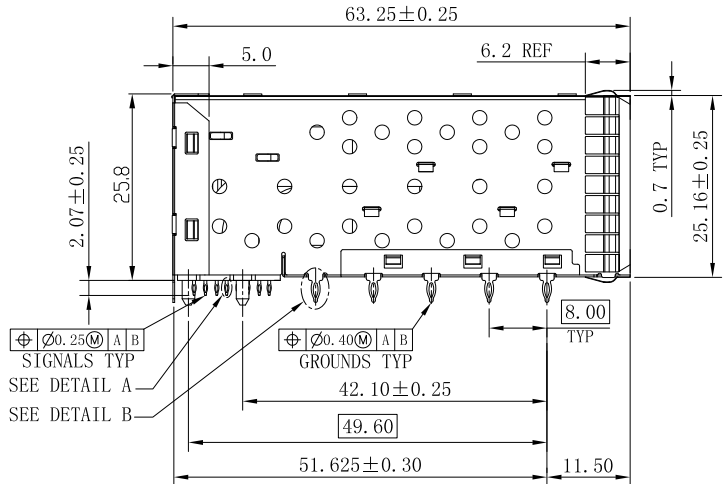
D



DETAIL A
SCALE 10:1



DETAIL B
SCALE 5:1



⌀0.25(A) B
SIGNALS TYP
SEE DETAIL A
SEE DETAIL B

⌀0.40(A) B
GROUNDS TYP

RoHS Compliant

WOHU 苏州沃虎电子科技有限公司
Tel:4001048018 http://www.wohu-tek.com

TOLERANCES 公差
.X ±0.25
.XX ±0.13
.XXX ±0.10
ANGLES: ±2°

Material: 材质	SEE NOTE	Designed: 设计	Hanmian Ye	NAME: 名称	SFP+ 2x4 CONNECTOR	
Finish: 电镀	SEE NOTE	Checked: 审核	Qianpu Zhao	DWG NO: 图号	ESFP11092601-C	REV. 版本
SHEET 1 OF 5 第 页 共 页		Approved: 核准	Robin	PART NO: 料号	SEE TABLE	H

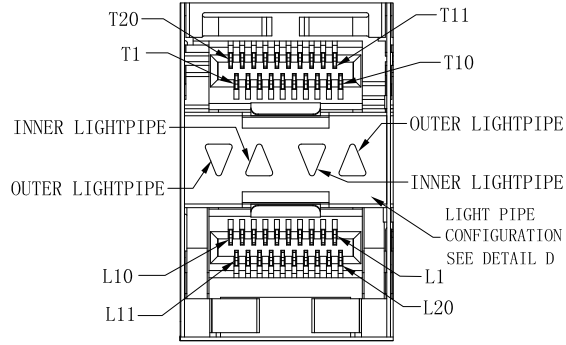
第三视角 A4 SIZE	SCALE 比例	UNIT 单位	CUSTOMER: 客户	N/A
	2:1	mm	MODEL NO: 模号	N/A

S+C02

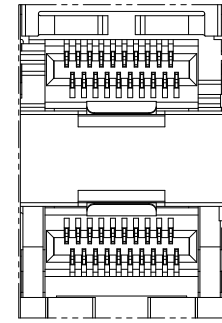
REV. 版本	ECN NO. 变更说明	DATE 日期

A

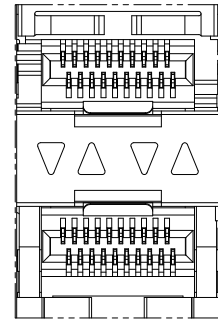
A



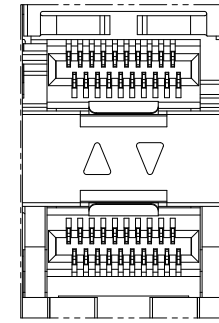
DETAIL A1
SCALE 4:1



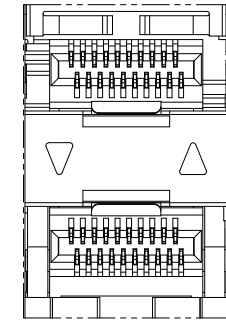
TYPE1_NONE LIGHT PIPES



TYPE2_4 LIGHT PIPES



TYPE1_3 INNER LIGHT PIPES



TYPE4_2 OUTER LIGHT PIPES

LIGHT PIPE CONFIGURATION
DETAIL D SCALE 2:1

B

B

C

C

10715624D006		SFP+ 2X4 PRESS FIT CONNECTOR	WITH INNER/OUTER LIGHT PIPES	▽△▽△	15u"	WITHOUT LOGO	Ni 30u"MIN
10715624D007		SFP+ 2X4 PRESS FIT CONNECTOR	WITH OUTER LIGHT PIPES	▽ △	15u"	WITHOUT LOGO	Ni 30u"MIN
10715624D005		SFP+ 2X4 PRESS FIT CONNECTOR	WITH INNER LIGHT PIPES	△▽	15u"	WITHOUT LOGO	Ni 30u"MIN
10715624D004		SFP+ 2X4 PRESS FIT CONNECTOR	WITHOUT LIGHT PIPES		15u"	WITHOUT LOGO	Ni 30u"MIN
10715624D003		SFP+ 2X4 PRESS FIT CONNECTOR	WITH INNER/OUTER LIGHT PIPES	▽△▽△	15u"	WITHOUT LOGO	UNPLATED
10715624D008		SFP+ 2X4 PRESS FIT CONNECTOR	WITH OUTER LIGHT PIPES	▽ △	15u"	WITHOUT LOGO	UNPLATED
10715624D009		SFP+ 2X4 PRESS FIT CONNECTOR	WITH INNER LIGHT PIPES	△▽	15u"	WITHOUT LOGO	UNPLATED
10715524D002		SFP+ 2X4 PRESS FIT CONNECTOR	WITHOUT LIGHT PIPES		15u"	WITHOUT LOGO	UNPLATED
10715624F029		SFP+ 2X4 PRESS FIT CONNECTOR	WITH INNER/OUTER LIGHT PIPES	▽△▽△	30u"	WITHOUT LOGO	Ni 30u"MIN
10715524F009		SFP+ 2X4 PRESS FIT CONNECTOR	WITHOUT LIGHT PIPES		30u"	WITHOUT LOGO	Ni 30u"MIN
10715624F030		SFP+ 2X4 PRESS FIT CONNECTOR	WITH OUTER LIGHT PIPES	▽ △	30u"	WITHOUT LOGO	Ni 30u"MIN
10715624F020		SFP+ 2X4 PRESS FIT CONNECTOR	WITH INNER LIGHT PIPES	△▽	30u"	WITHOUT LOGO	Ni 30u"MIN
10715624F009	B869S4-0030-Y033	SFP+ 2X4 PRESS FIT CONNECTOR	WITH INNER/OUTER LIGHT PIPES	▽△▽△	30u"	WITHOUT LOGO	UNPLATED
10715524F010	B869S4-0030-Y034	SFP+ 2X4 PRESS FIT CONNECTOR	WITHOUT LIGHT PIPES		30u"	WITHOUT LOGO	UNPLATED
10715624F031	B869S4-0030-Y035	SFP+ 2X4 PRESS FIT CONNECTOR	WITH OUTER LIGHT PIPES	▽ △	30u"	WITHOUT LOGO	UNPLATED
10715624F032	B869S4-0030-Y036	SFP+ 2X4 PRESS FIT CONNECTOR	WITH INNER LIGHT PIPES	△▽	30u"	WITHOUT LOGO	UNPLATED
PART NUMBER	PART NUMBER(OLD)	DESCRIPTION	LIGHT PIPES	CONTACT PLATING GOLD	LOGO	CAGE PLATING	

RoHS Compliant

WOHU 苏州沃虎电子科技有限公司
Tel:4001048018 http://www.wohu-tek.com

TOLERANCES
公差
.X ±0.25
.XX ±0.13
.XXX ±0.10
ANGLES: ±2°

Material: SEE NOTE
材质
Finish: SEE NOTE
电镀
SHEET 2 OF 5
第 页 共 页

Designed: Hanmian Ye
设计
Checked: Qianpu Zhao
审核
Approved: Robin
核准

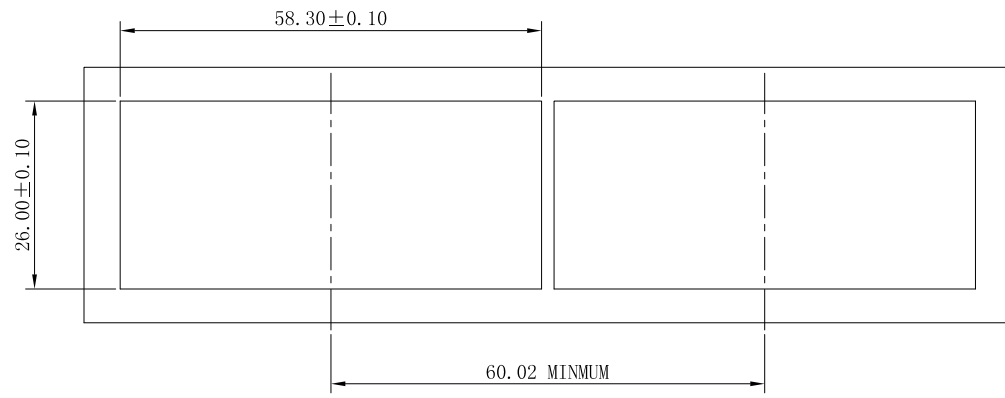
NAME: SFP+ 2x4 CONNECTOR
名称
DWG NO: ESFP11092601-C
图号
PART NO: SEE TABLE
料号
REV. 版本: H

第三视角 A4 SIZE SCALE 比例 2:1 UNIT 单位 mm CUSTOMER: 客户 N/A MODEL NO: 模号 N/A

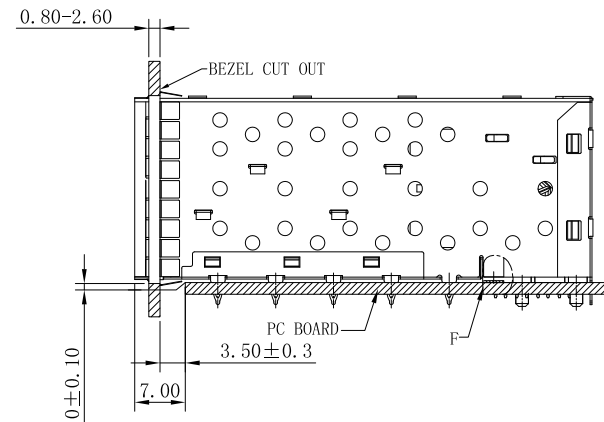
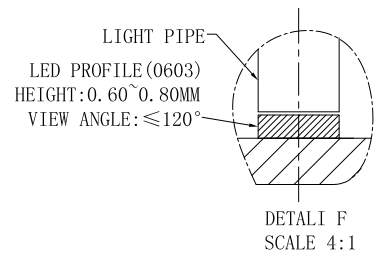
D

D

REV. 版本	ECN NO. 变更说明	DATE 日期



BEZEL CUT-OUT CENTER SPACING DETAIL
BEZEL THICKNESS: 0.8-2.6



RoHS Compliant

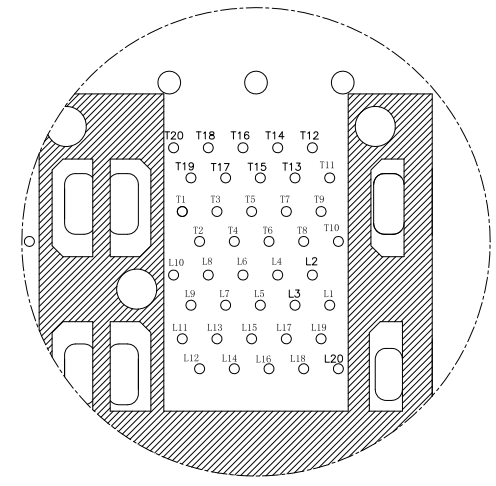
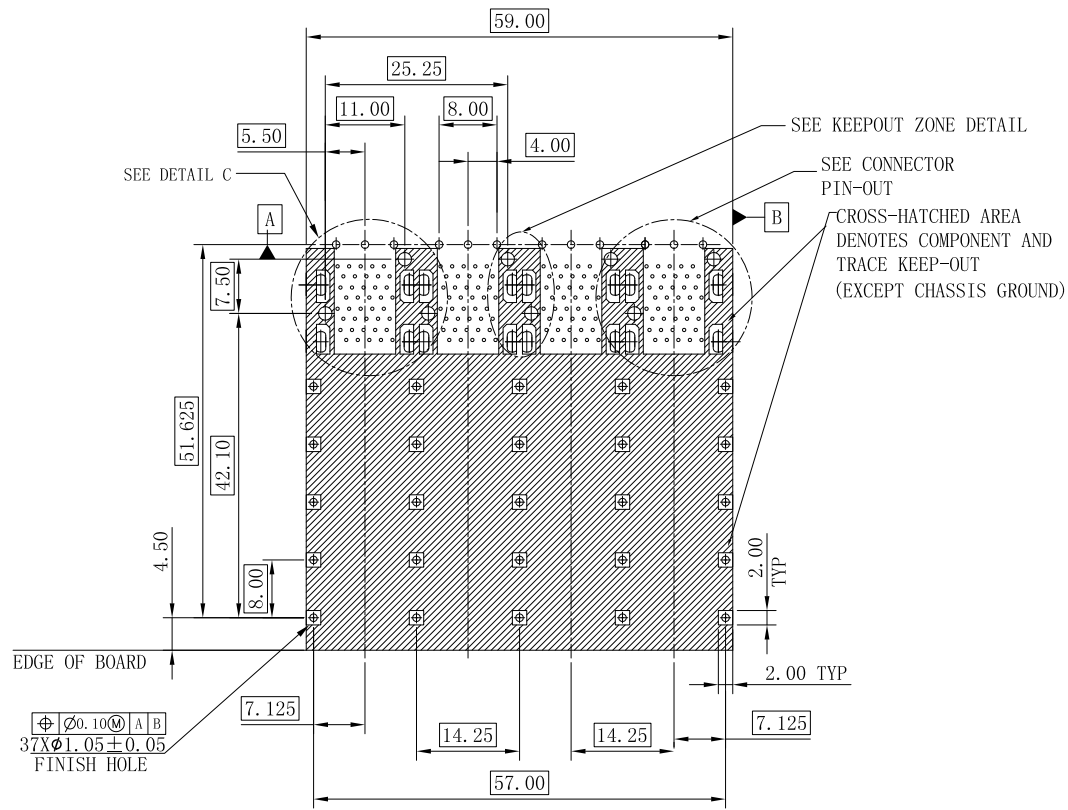
WOHU 苏州沃虎电子科技有限公司
Tel:4001048018 <http://www.wohu-tek.com>

TOLERANCES
公差
.X ±0.25
.XX ±0.13
.XXX ±0.10
ANGLES: ±2°

Material: 材质	SEE NOTE	Designed: 设计	Hanmian Ye	NAME: 名称	SFP+ 2x4 CONNECTOR	
Finish: 电镀	SEE NOTE	Checked: 审核	Qianpu Zhao	DWG NO: 图号	ESFP11092601-C	REV. 版本
SHEET 3 OF 5 第 3 页 共 5 页		Approved: 核准	Robin	PART NO: 料号	SEE TABLE	H

第三视角	A4 SIZE	SCALE 比例	UNIT 单位	CUSTOMER: 客户	N/A
		2:1	mm	MODEL NO: 模号	N/A

REV. 版本	ECN NO. 变更说明	DATE 日期



RECOMMENDED PCB LAYOUT-COMPONENT SIDE
RECOMMENDED PCB THICKNESS-2.63 MM

THE ENTIRE AREA OF THE CONNECTOR FOOTPRINT
TO BE CONSIDERED THE KEEP OUT AREA FOR COMPONENTS
(OTHER THAN LIGHT PIPE LED'S)
THIS AREA IS INDICATED BY THE DASHED LINE

RoHS Compliant

WOHU 苏州沃虎电子科技有限公司
Tel:4001048018 http://www.wohu-tek.com

TOLERANCES
公差
.X ±0.25
.XX ±0.13
.XXX ±0.10
ANGLES: ±2°

Material: 材质 SEE NOTE
Finish: 电镀 SEE NOTE
SHEET 4 OF 5
第 页 共 页

Designed: 设计 Hanmian Ye
Checked: 审核 Qianpu Zhao
Approved: 核准 Robin

NAME: 名称	SFP+ 2x4 CONNECTOR	REV. 版本	H
DWG NO: 图号	ESFP11092601-C	PART NO: 料号	SEE TABLE

第三视角
A4
SIZE

SCALE 比例	UNIT 单位	CUSTOMER: 客户	N/A
2:1	mm	MODEL NO: 模号	N/A

A
B
C
D

A
B
C
D

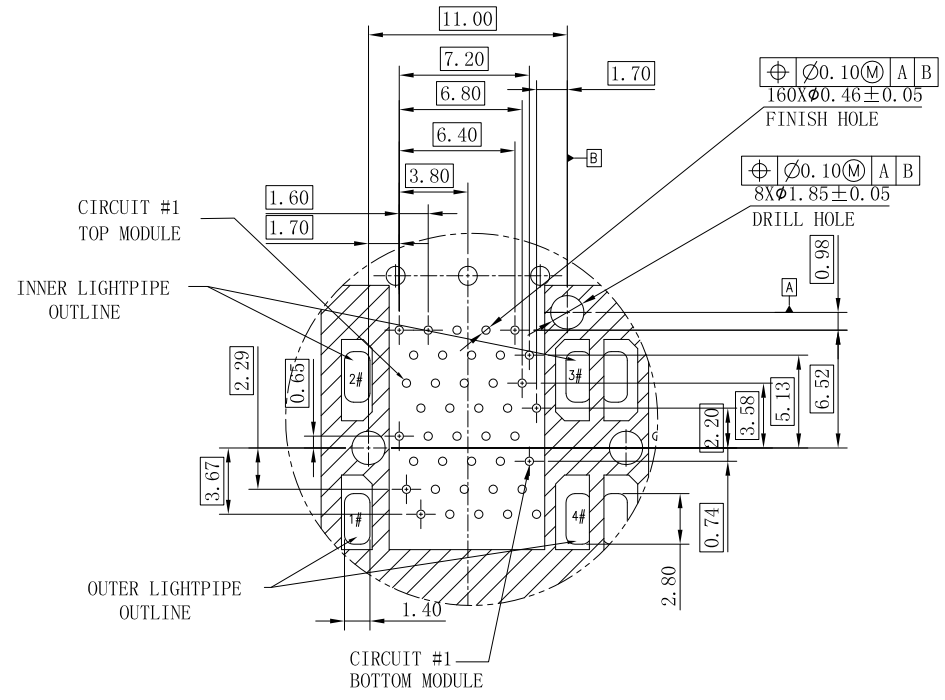
1

2

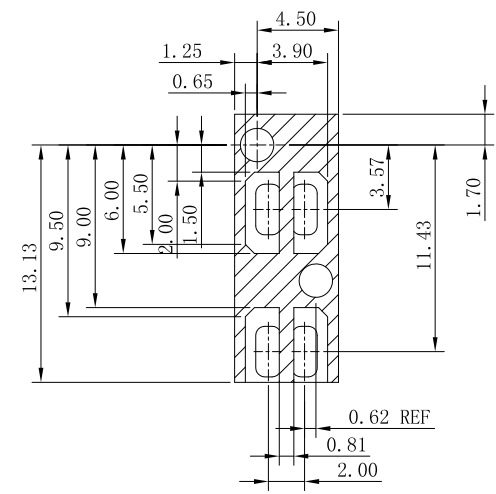
3

4

REV. 版本	ECN NO. 变更说明	DATE 日期



DETAIL C
SCALE 5:1



KEEP-OUT ZONE
DETAIL SCALE 5:1

RoHS Compliant

WOHU 苏州沃虎电子科技有限公司
Tel:4001048018 http://www.wohu-tek.com

TOLERANCES
公差
.X \pm 0.25
.XX \pm 0.13
.XXX \pm 0.10
ANGLES: \pm 2°

Material: 材质	SEE NOTE	Designed: 设计	Hanmian Ye	NAME: 名称	SFP+ 2x4 CONNECTOR	
Finish: 电镀	SEE NOTE	Checked: 审核	Qianpu Zhao	DWG NO: 图号	ESFP11092601-C	REV. 版本
SHEET 5 OF 5 第 页 共 页		Approved: 核准	Robin	PART NO: 料号	SEE TABLE	H

第三视角	A4 SIZE	SCALE 比例	UNIT 单位	CUSTOMER: 客户	N/A
		2:1	mm	MODEL NO: 模号	N/A