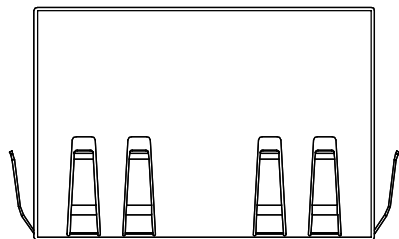
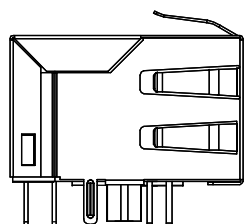


REACH & RoHS
COMPLIANT

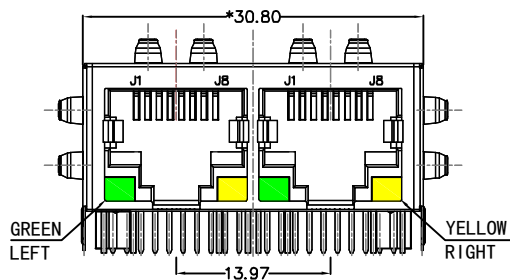
| REV. | ECN / DESCRIPTION | BY | DATE |
|------|-------------------|-------|------------|
| A0 | NEW | ZG.Hu | 2017.11.20 |



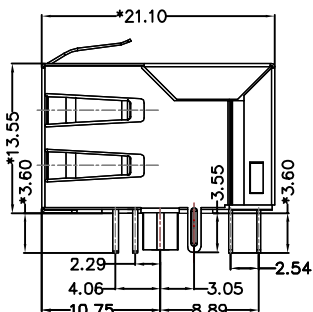
TOP VIEW



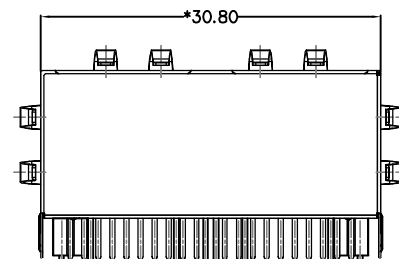
LEFT SIDE VIEW



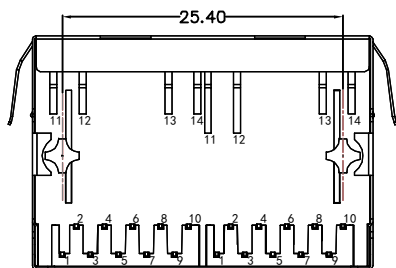
FRONT VIEW



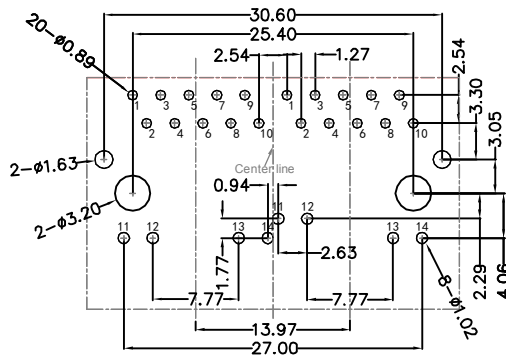
RIGHT SIDE VIEW



BACK VIEW



BOTTOM VIEW



RECOMMENDED PCB LAYOUT
VIEWED FROM COMPONENT SIDE

MATERIAL:

HOUSING: PBT,UL94V-0,BLACK.
TERMINALS BRACKET: PBT,UL94V-0,BLACK.
SHIELD: C2680,T=0.20MM,NICKEL PLATING ON ALL AREA.
TERMINAL: PHOSPHOR BRONZE C5210,T=0.35MM,
6U" GOLD PLATING ON CONTACT AREA.

MECHANICAL:

DURABILITY: 750 CYCLES MIN.
MATING FORCE: 23N MAX.
OPERATING TEMPERATURE: -40°C~+85°C.
STORAGE TEMPERATURE: -40°C~+85°C.
ALL CRITICAL DIMENSIONS WITH "*"

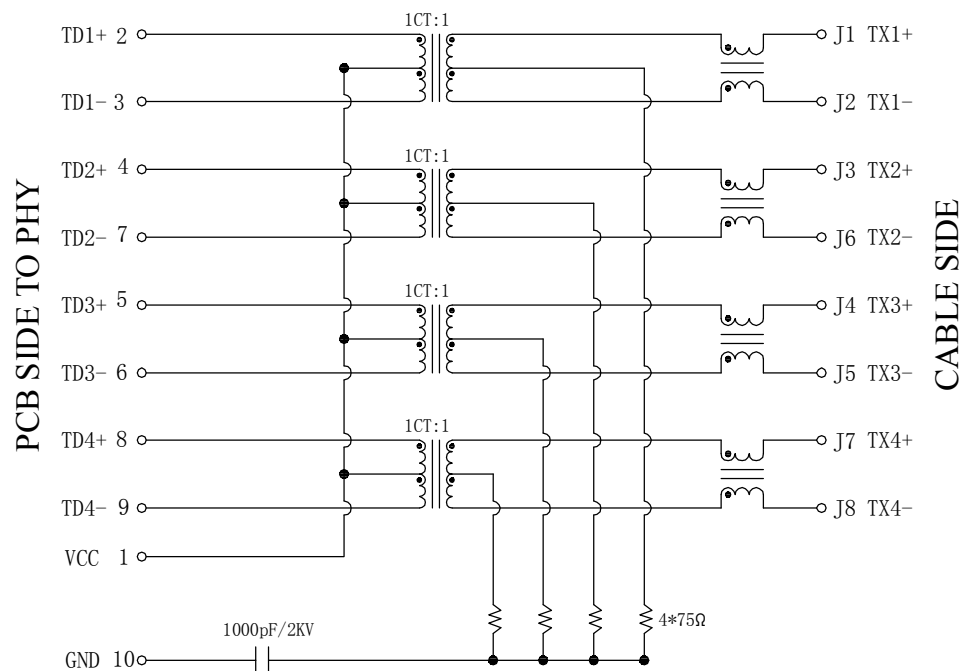


苏州沃虎电子科技有限公司
Tel : 4001048018 Http://www.wohu-tek.com

| | | | | | |
|---------------------------------|--------------|-------------------|--|------------|-------------------------|
| TITLE: TAB-DOWN 1X2 1000BASE | SIZE A4 | UNITS MM[INCH] | GENERAL TOLERANCES UNLESS SPECIFIED | | APPROVED BY: JP.Gong |
| PART NO.: SYT112Q066DA2A1D | SACLE 1:1 | REV A0 | x±0.35 | x°±3.0° | CHECKED BY: TW.Xu |
| REMARK: | SHEET 1/3 | | .x±0.30 | .x°±2.0° | DESIGND BY: ZG.Hu |
| | | | .xx±0.25 | .xx°±1.5° | |
| | | | .xxx±0.10 | .xxx°±1.0° | |

REACH & RoHS
COMPLIANT

| REV. | ECN / DESCRIPTION | BY | DATE |
|------|-------------------|-------|------------|
| A0 | NEW | ZG.Hu | 2017.11.20 |

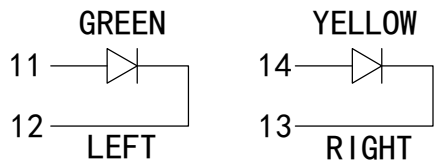


Electrical:

- Turn ratio: 2~3: J1~J2=1CT:1CT(±2%).
4~7: J3~J6=1CT:1CT(±2%).
5~6: J4~J5=1CT:1CT(±2%).
8~9: J7~J8=1CT:1CT(±2%).
- OCL: 350uH Min. at 100KHz 100mV 8mA DC.
- Insertion Loss: -1.0 dB Max 1~100MHz.
- Return loss: -18dB Min 1~30MHz;
-14dB Min 30~60MHz.
-12dB Min 60~80MHz.
-10dB Min 80~100MHz.
- Cross talk: -40dB Min 1~30MHz;
-35dB Min 30~60MHz;
-30dB Min 60~100MHz;
- CMR: -30dB Min 1~100MHz;
- Hi-Pot: 2250V DC 6S 1mA PRI TO SEC

LED Specification

| Standard LED Color | LED Wavelength | Foward(A) | Foward(V) |
|--------------------|----------------|-----------|------------|
| Green | 568nm | 20mA | 1.85-2.45V |
| Yellow | 585nm | 20mA | 1.7-2.2V |



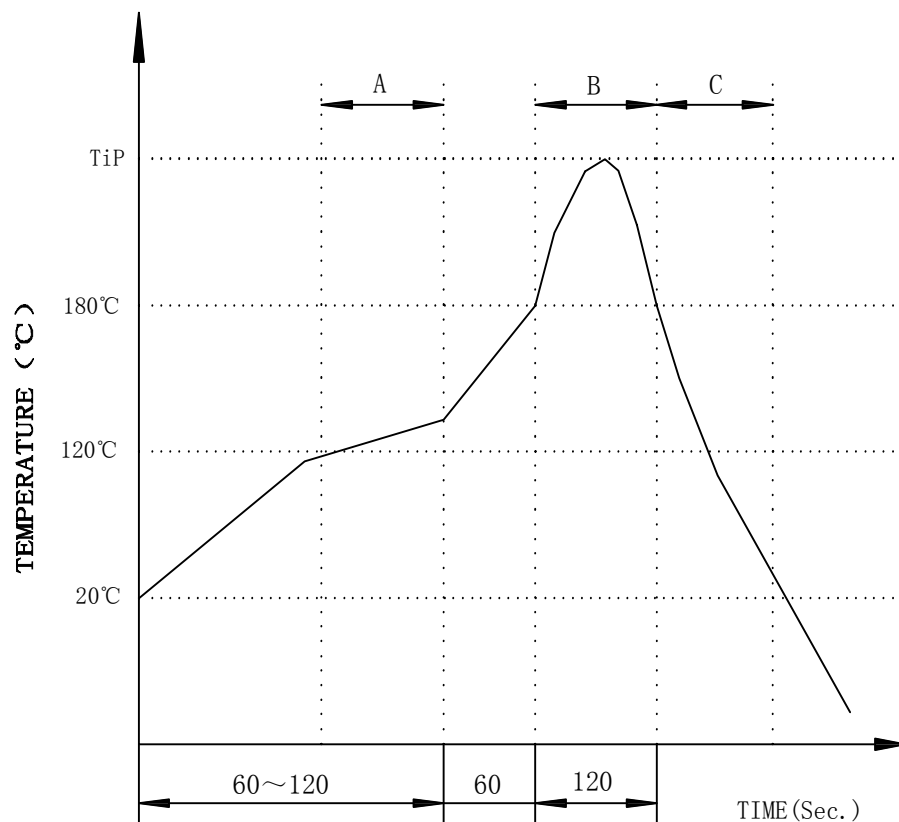
苏州沃虎电子科技有限公司
Tel : 4001048018 Http://www.wohu-tek.com

| | | | | | |
|---------------------------------|--------------|-------------------|--|--|-------------------------|
| TITLE: TAB-DOWN 1X2 1000BASE | SIZE A4 | UNITS MM[INCH] | GENERAL TOLERANCES UNLESS SPECIFIED | | APPROVED BY: JP.Gong |
| PART NO.: SYT112Q066DA2A1D | SACLE 1:1 | REV A0 | x±0.35 .xx±0.25 .xxx±0.10 | x°±3.0° .x°±2.0° .xx°±1.5° .xxx°±1.0° | CHECKED BY: TW.Xu |
| REMARK: | SHEET 2/3 | | DESIGND BY: ZG.Hu | | |

REACH & RoHS
COMPLIANT

PROFILE OF WAVE SOLDER

| REV. | ECN / DESCRIPTION | BY | DATE |
|------|-------------------|-------|------------|
| A0 | NEW | ZG.Hu | 2017.11.20 |



A.Preheating B.Soldering C.Gradual Cooling
 Tip temperature:260±5°C.
 Tip temperature time:5Sec Max.
 Tip melting point of Sn96.5/Ag3/Cu0.5:217°C.

Remarks: after wave soldering, the plastic positioning columns of the product which under the PCB will be slightly melted, but it won't affect its function.



苏州沃虎电子科技有限公司
 Tel : 4001048018 Http://www.wohu-tek.com

| | | | | | |
|---------------------------------|--------------|-------------------|--|------------|-------------------------|
| TITLE: TAB-DOWN 1X2 1000BASE | SIZE A4 | UNITS MM[INCH] | GENERAL TOLERANCES UNLESS SPECIFIED | | APPROVED BY: JP.Gong |
| PART NO.: SYT112Q066DA2A1D | SACLE 1:1 | REV A0 | x±0.35 | x°±3.0° | CHECKED BY: TW.Xu |
| REMARK: | SHEET 3/3 | | .x±0.30 | .x°±2.0° | DESIGND BY: ZG.Hu |
| | | | .xx±0.25 | .xx°±1.5° | |
| | | | .xxx±0.10 | .xxx°±1.0° | |