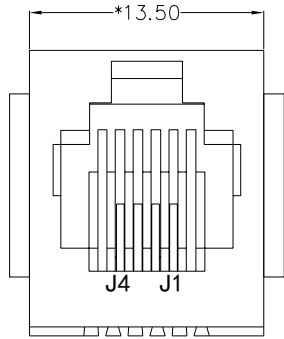
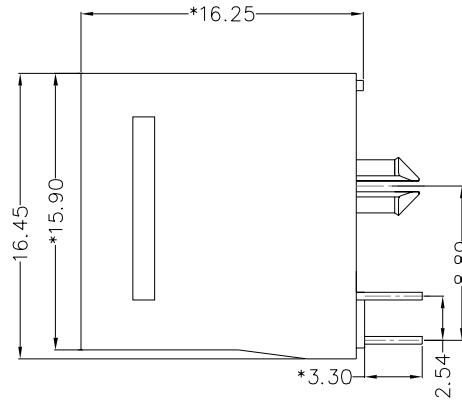


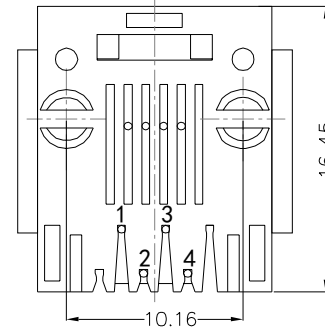
REACH & RoHS
COMPLIANT



FRONT VIEW



RIGHT SIDE VIEW



BACK VIEW

MATERIAL:

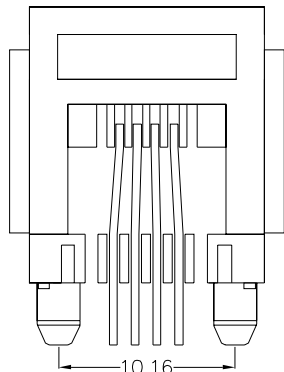
HOUSING: PBT,UL94V-0,BLACK.
TERMINAL: PHOSPHOR BRONZE $\phi=0.46$ MM, G/FU" GOLD PLATING.

MACHANICAL:

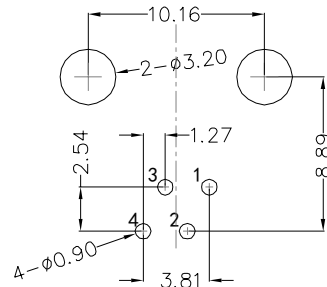
DURABILITY: 750 CYCLES MIN,12.5MM/MINUTE.
INSERTION FORCE: 2.2KG.F MAX.
RETENTION STRENGTH : 7.7KG.F BETWEEN JACK AND PLUG.
OPERATING TEMPERATURE: -40°C~+85°C.
STORAGE TEMPERATURE: -40°C~+85°C.
ALL CRITICAL DIMENSIONS WITH "**"

ELECTRICAL:

VOLTAGE: 125 VOLTS AC.
CURRENT RATING : 1.5AMP.
DIELECTRIC STRENGTH: 1000 VAC RMS 50HZ OR 60HZ,1MIN.
INSULATION RESISTANCE: 500 MEGA OHMS MIN. INITIAL
AFTER 500V DC FOR 1 MINUTE.
CONTACT RESISTANCE: SINGLE TERMINAL 30 MILLIOHMS MAX.
INITIAL 50 MILLIOHMS MAX. AFTER
DURABILITY TEST.

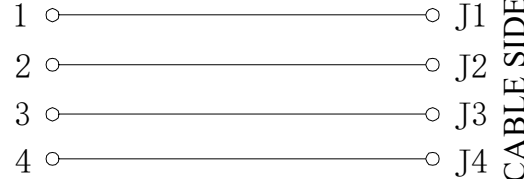


BACK VIEW



RECOMMENDED PCB LAYOUT
VIEWED FROM COMPONENT SIDE

PCB SIDE TO PHY



沃虎 苏州沃虎电子科技有限公司
VOOHU Su Zhou Voohu Electronic Tech.Co.Ltd

TITLE:
RJ11 1*1 6P4C
PART NO.:
SYT5222E1164IWA1DY1017
REMARK:

SIZE
A4
UNITS
MM[INCH]
SACLE
1:1
REV
A0
SHEET
1/4

GENERAL TOLERANCES
UNLESS SPECIFIED
x±0.35 x°±3.0°
.x±0.30 .x°±2.0°
.xx±0.25 .xx°±1.5°
.xxx±0.10 .xxx°±1.0°

APPROVED BY:
Geoffrey.Song
CHECKED BY:
Elvis.Song
DESIGND BY:
Sunny.Xu

TEL: +86 400 1048 018

WEB: WWW.WOHU-TEK.COM