

SC02

NOTE:
MATERIAL:

1. CONTACT: PHOSPHOR BRONZE.
2. CONNECTOR HOUSING: LCP UL 94V-0. COLOR: BLACK.
3. MOULDED INSERT: HIGH TEMPERATURE PLASTIC UL 94V-0. COLOR:BLACK.
4. CAGE: COPPER ALLOY.
5. LIGHT PIPES: POLYCARBONATE. UL 94V-0. COLOR:CLEAR
6. LIGHT PIPE HOUSING: PBT UL 94V-0 COLOR:BLACK.

PLATED:

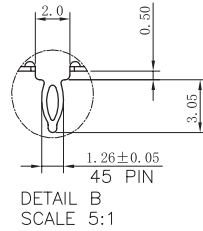
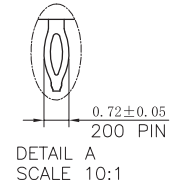
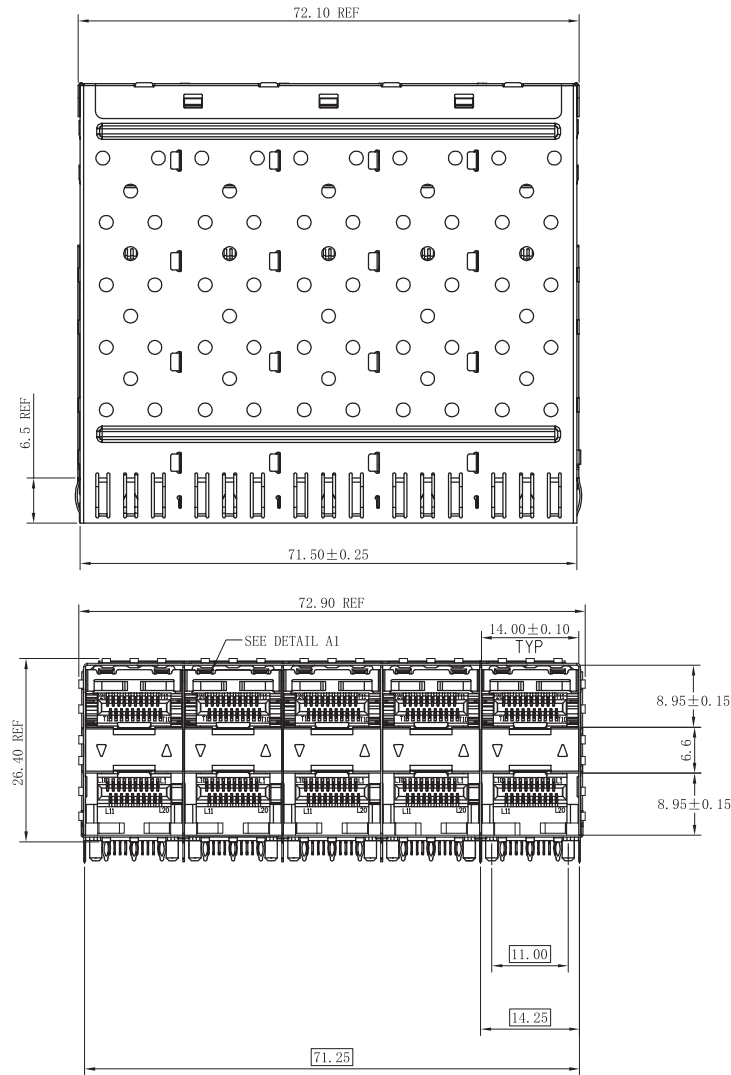
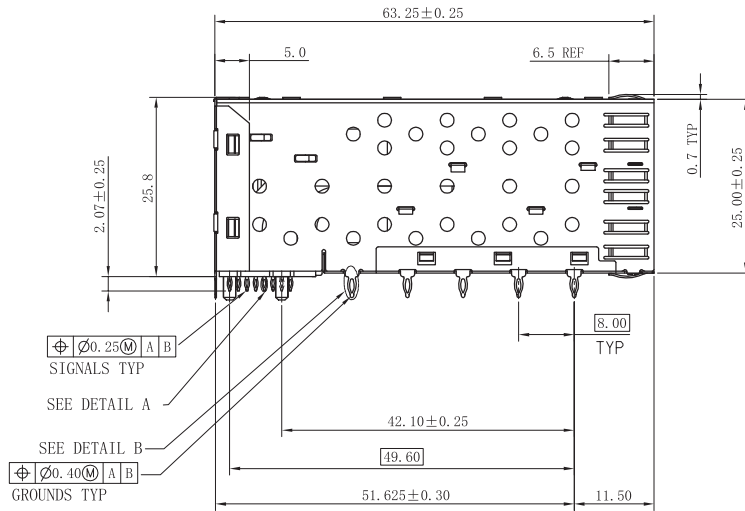
1. CONTACT MATING AREA : PLATING GOLD OVER 1.27 MICROMETERS MINIMUM NICKEL.
2. CONTACT NEEDLE EYE: 2.54 MICROMETERS MINIMUM MATTE TIN OVER 1.27 MICROMETERS MINIMUM NICKEL.

MECHANICAL REQUIREMENT:

1. DURABILITY: 100 CYCLES MIN.
2. INSERTION AND EXTRACTION FORCE: 40N MAX & 11.5N MAX

ENVIRONMENTAL:

1. LOW LEVEL CONTACT RESISTANCE(LLCR):
 ΔR 10 MILLIOHMS MAXIMUM FOR SHIELD AND SIGNAL CONTACTS.
2. DIELECTRIC WITHSTANDING VOLTAGE: 300V AC/MAX.
3. INSULATION RESISTANCE: 1×10^9 OHMS MINIMUM.
4. RATINGS CURRENT: 0.5 AMPS MAX.
5. RATINGS VOLTAGE: 30 VOLTS DC/AC(RMS) MAX.
6. OPERATION: $-40^{\circ}\text{C} \sim +85^{\circ}\text{C}$.
7. STORAGE: $-55^{\circ}\text{C} \sim +105^{\circ}\text{C}$.
8. ROHS COMPLIANT



RoHS Compliant

沃虎 苏州沃虎电子科技有限公司
VOOHU Su Zhou Voohu Electronic Tech.Co.Ltd

TITLE:
SFP 2×5 CONNECTOR

SIZE
A4 UNITS
MM[INCH]

GENERAL TOLERANCES
UNLESS SPECIFIED

APPROVED BY:
Geoffrey.Song

PART NO.:
WHSFP05825D030

SACLE
1:1 REV
A0

$x \pm 0.35$	$x^{\circ} \pm 3.0^{\circ}$
$.x \pm 0.30$	$.x^{\circ} \pm 2.0^{\circ}$

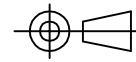
CHECKED BY:
Elvis.Song

TEL: +86 400 1048 018

WEB: WWW.WOHU-TEK.COM

REMARK:
Gold plated 15u"

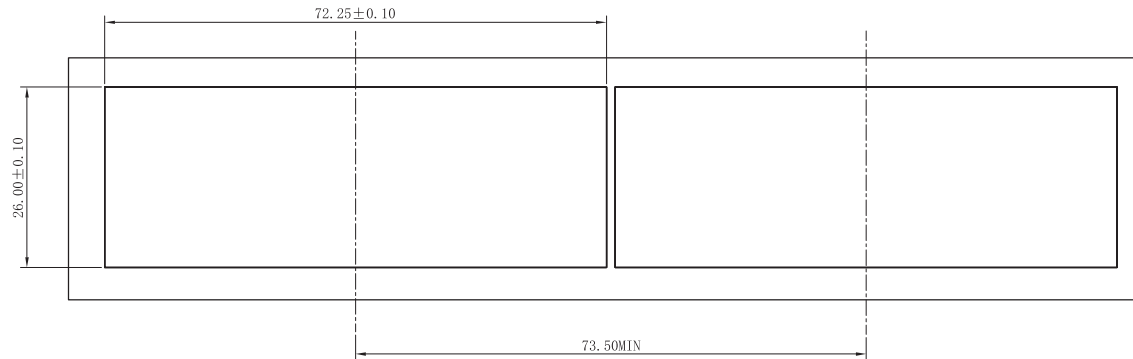
SHEET
1/4



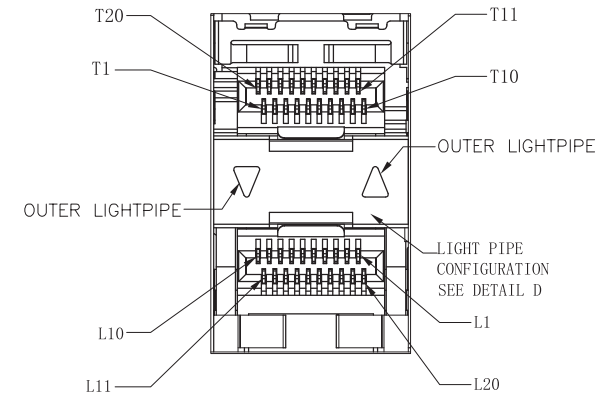
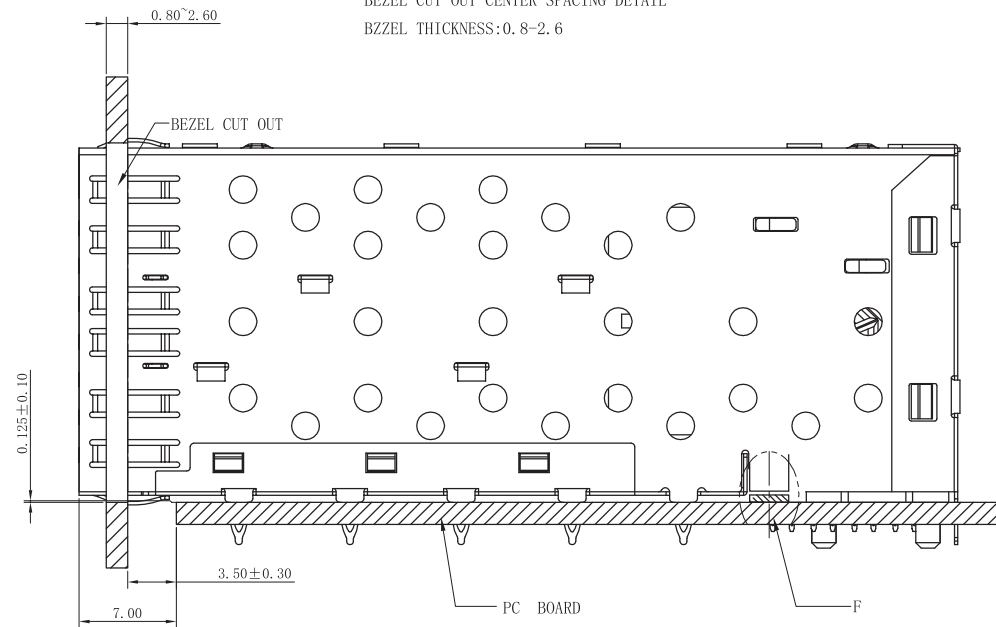
$.xx \pm 0.25$	$.xx^{\circ} \pm 1.5^{\circ}$
$.xxx \pm 0.10$	$.xxx^{\circ} \pm 1.0^{\circ}$

DESIGND BY:
Sunny.Xu

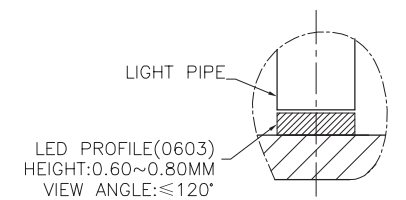
SC02



BEZEL CUT-OUT CENTER SPACING DETAIL
BEZEL THICKNESS: 0.8-2.6



DETAIL A1
SCALE 4:1



DETAIL F
SCALE 4:1

RoHS Compliant

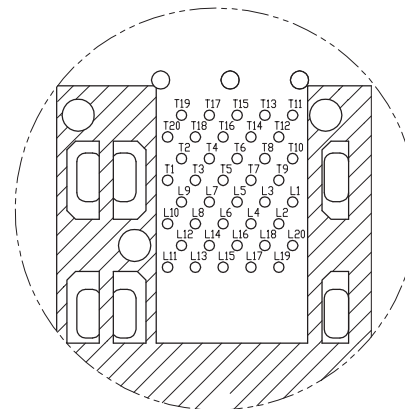
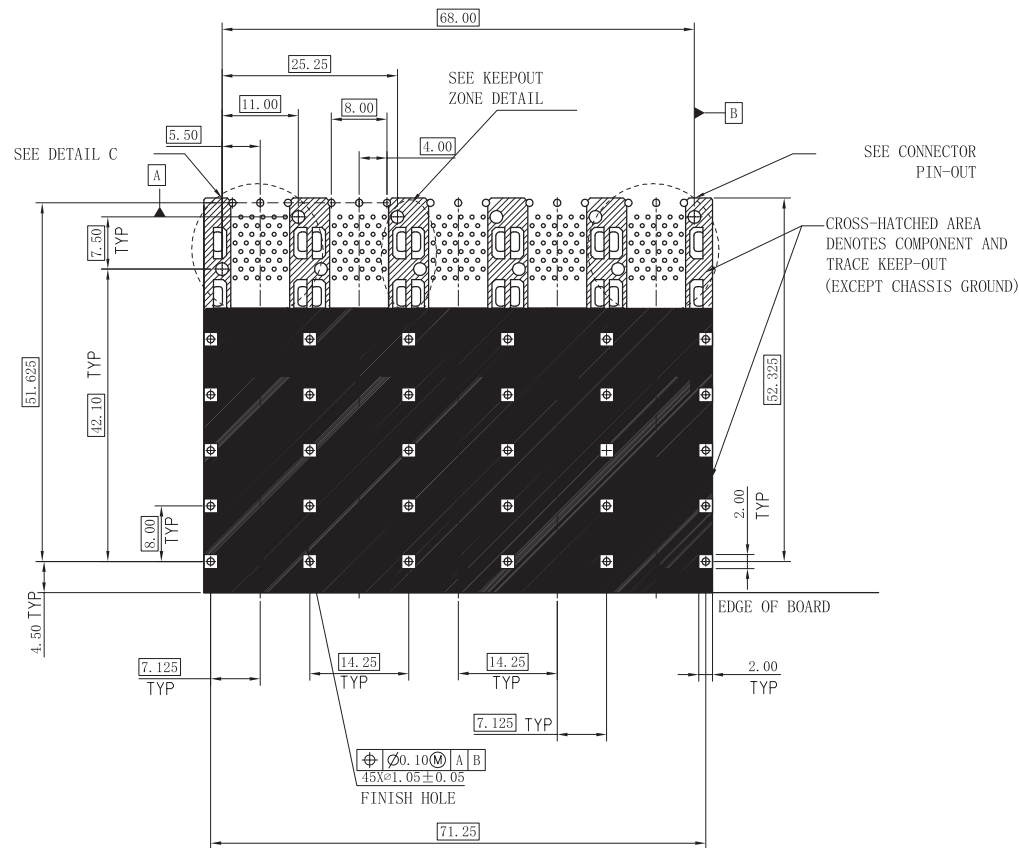
沃虎 苏州沃虎电子科技有限公司
VOOHU Su Zhou Voohu Electronic Tech.Co.Ltd

TEL: +86 400 1048 018

WEB: WWW.WOHU-TEK.COM

TITLE: SFP 2×5 CONNECTOR	SIZE A4	UNITS MM[INCH]	GENERAL TOLERANCES UNLESS SPECIFIED		APPROVED BY: Geoffrey.Song
			x±0.35	x°±3.0°	
PART NO.: WHSFP05825D030	SCALE 1:1	REV A0	.x±0.30	.x°±2.0°	CHECKED BY: Elvis.Song
			.xx±0.25	.xx°±1.5°	
REMARK: Gold plated 15u"	SHEET 1/4		.xxx±0.10	.xxx°±1.0°	DESIGND BY: Sunny.Xu

SC02



CONNECTOR PIN-OUT
COMPONENT SIDE OF BOARD

RECOMMENDED PCB LAYOUT-COMPONENT SIDE
RECOMMENDED PCB THICKNESS-2.63MM

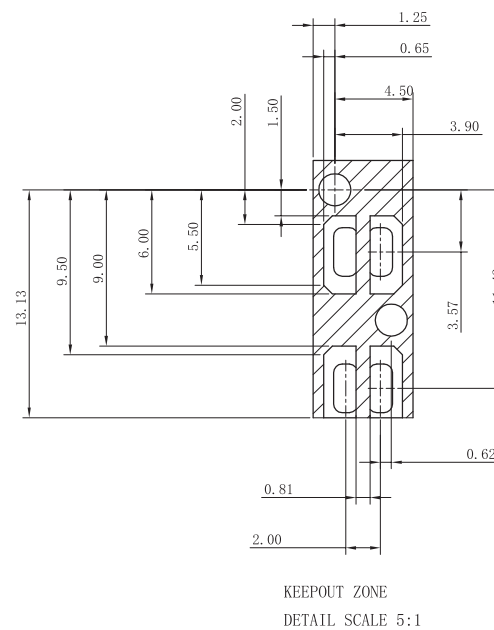
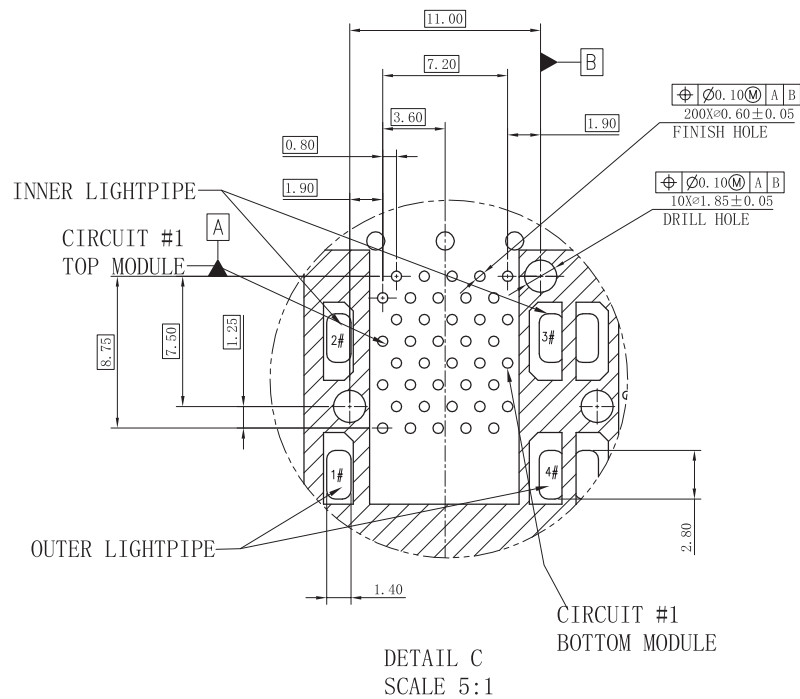
THE ENTIRE AREA OF THE CONNECTOR FOOTPRINT
TO BE CONSIDERED THE KEEP OUT AREA FOR COMPONENTS
(OTHER THAN LIGHT PIPE LED'S)
THIS AREA IS INDICATED BY THE DASHED LINE

RoHS Compliant



TITLE: SFP 2x5 CONNECTOR	SIZE A4	UNITS MM[INCH]	GENERAL TOLERANCES UNLESS SPECIFIED		APPROVED BY: Geoffrey. Song
			PART NO.: WHSFP05825D030	SACLE 1:1	
REMARK: Gold plated 15u"	SHEET 1/4		.xx±0.25 .xx°±1.5°	.xxx±0.10 .xxx°±1.0°	DESIGN BY: Sunny. Xu
			TEL: +86 400 1048 018		

SC02



RoHS Compliant



TITLE: SFP 2×5 CONNECTOR	SIZE A4	UNITS MM[INCH]	GENERAL TOLERANCES UNLESS SPECIFIED		APPROVED BY: Geoffrey. Song
			x±0.35	x°±3.0°	
PART NO.: WHSFP05825D030	SCALE 1:1	REV A0	.x±0.30	.x°±2.0°	CHECKED BY: Elvis. Song
			.xx±0.25	.xx°±1.5°	
REMARK: Gold plated 15u"	SHEET 1/4		.xxx±0.10	.xxx°±1.0°	DESIGND BY: Sunny. Xu

TEL: +86 400 1048 018

WEB: WWW.WOHU-TEK.COM