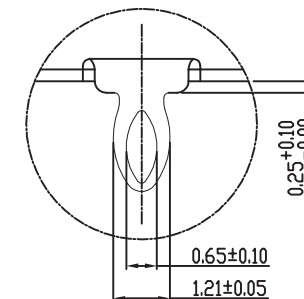
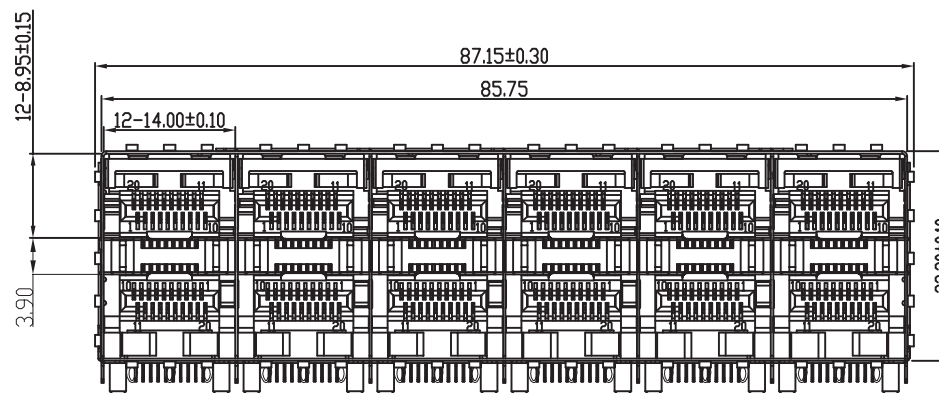
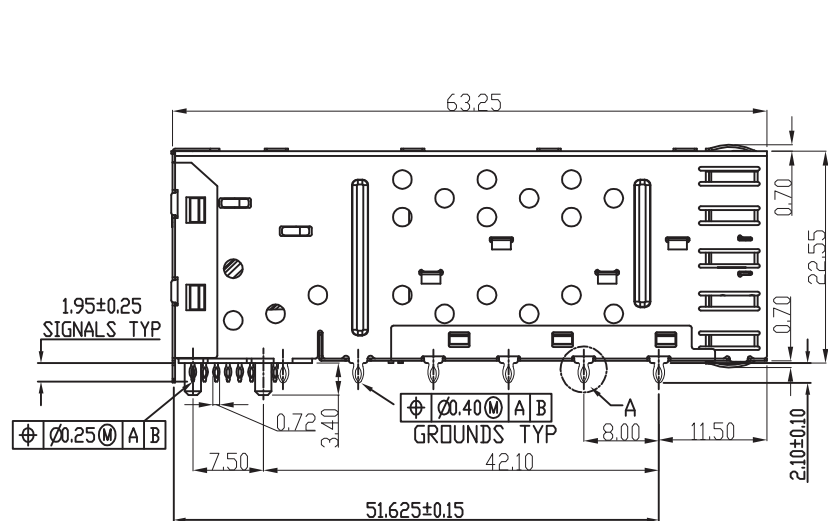


CUSTOMER DRAWING



DETAIL: A
SCALE 5:1

NOTE:

MECHANICAL:

- CONTACT: PHOSPHOR BRONZE C5210-EH T=0.20mm.
- CONNECTOR HOUSING: LCP UL 94V-0. COLOR: BLACK.
- MOULDED INSET: LCP UL 94V-0. COLOR: BLACK.
- CAGE: COPPER ALLOY C7701 T=0.25mm.

PLATED:

- CONTACT MATING AREA : PLATING GOLD 0.76 MICROMETERS MINIMUM OVER 1.27 MICROMETERS MINIMUM NICKLE
- CONTACT NEEDLE EYE: 1.27 MICROMETERS MINIMUM MATTE TIN OVER 1.27 MICROMETERS MINIMUM NICKEL

MECHANICAL REQUIREMENT:

- DURABILITY: 100 CYCLES MIN.
- INSERTION AND EXTRACTION FORCE: 40N MAX & 11.5N MAX

ENVIRONMENTAL:

- LOW LEVEL CONTACT RESITANCE(LLCR):
ΔR 10 MILLIOHMS MAXIMUM FOR SHIELD AND SIGNAL CONTACTS.
- WITHSTANDING VOLTAGE: 300V AC/MAX.
- INSULATION RESISTANCE: 1x10⁹ OHMS MINIMUM.
- RATINGS CURRENT: SIGNAL APPLICATION ONLY.
- RATINGS VOLTAGE: 120 volts AC.
- OPERATION: -40°C~+85°C.
- STORAGE: -55°C~+105°C.
- ROHS COMPLIANT.

RoHS Compliant

 沃虎 苏州沃虎电子科技有限公司
VOHU Su Zhou Voohu Electronic Tech.Co.Ltd

TITLE: SFP 2×6 CONNECTOR
LOW PROFILE

SIZE
A4

UNITS
MM[INCH]

GENERAL TOLERANCES
UNLESS SPECIFIED

APPROVED BY:
Geoffrey. Song

PART NO.:
WHSFP06326D001

SACLE
1:1

REV
A0

x±0.35 x°±3.0°
.x±0.30 .x°±2.0°

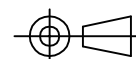
CHECKED BY:
Elvis. Song

TEL: +86 400 1048 018

WEB: WWW.WOHU-TEK.COM

REMARK:

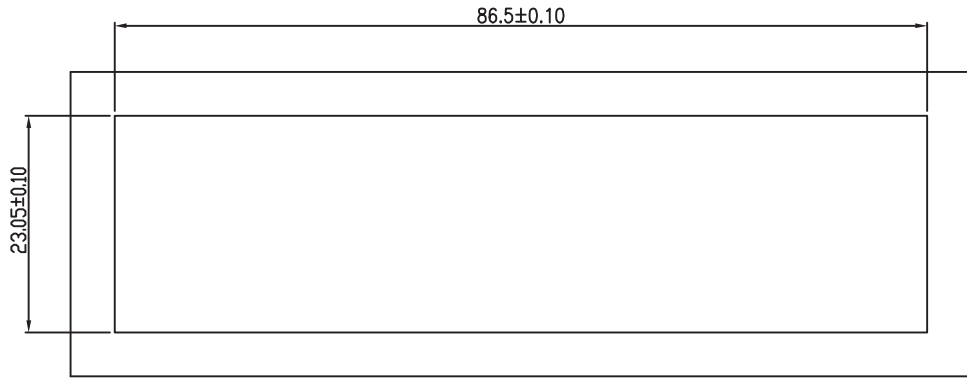
SHEET
1/4



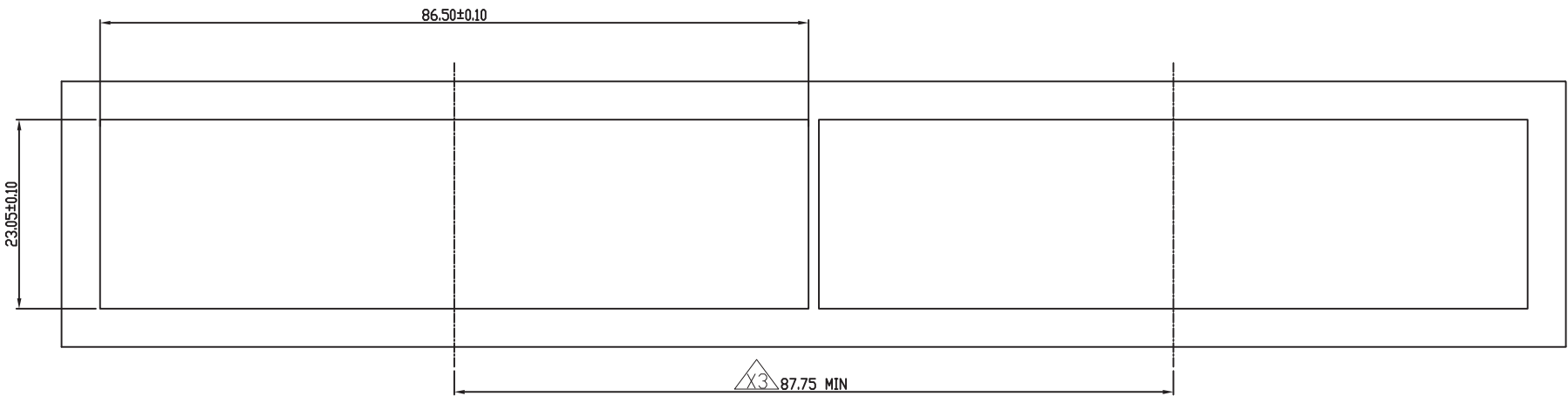
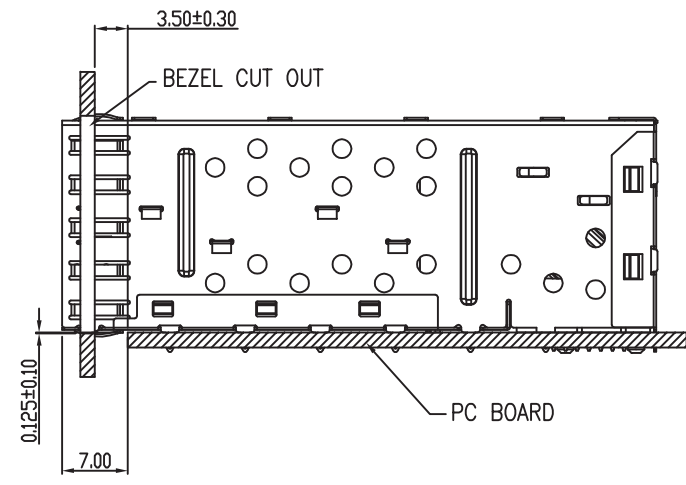
.xx±0.25 .xx°±1.5°
.xxx±0.10 .xxx°±1.0°

DESIGND BY:
Sunny. Xu

CUSTOMER DRAWING



BEZEL CUT-OUT CENTER SPACING DETAIL
BEZEL THICKNESS:0.8-2.6



RoHS Compliant



TITLE: SFP 2×6 CONNECTOR
LOW PROFILE

SIZE
A4

UNITS
MM[INCH]

GENERAL TOLERANCES
UNLESS SPECIFIED

APPROVED BY:
Geoffrey. Song

PART NO.:
WHSFP06326D001

SACLE
1:1

REV
A0

x±0.35	x°±3.0°
.x±0.30	.x°±2.0°

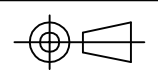
CHECKED BY:
Elvis. Song

TEL: +86 400 1048 018

WEB: WWW.WOHU-TEK.COM

REMARK:

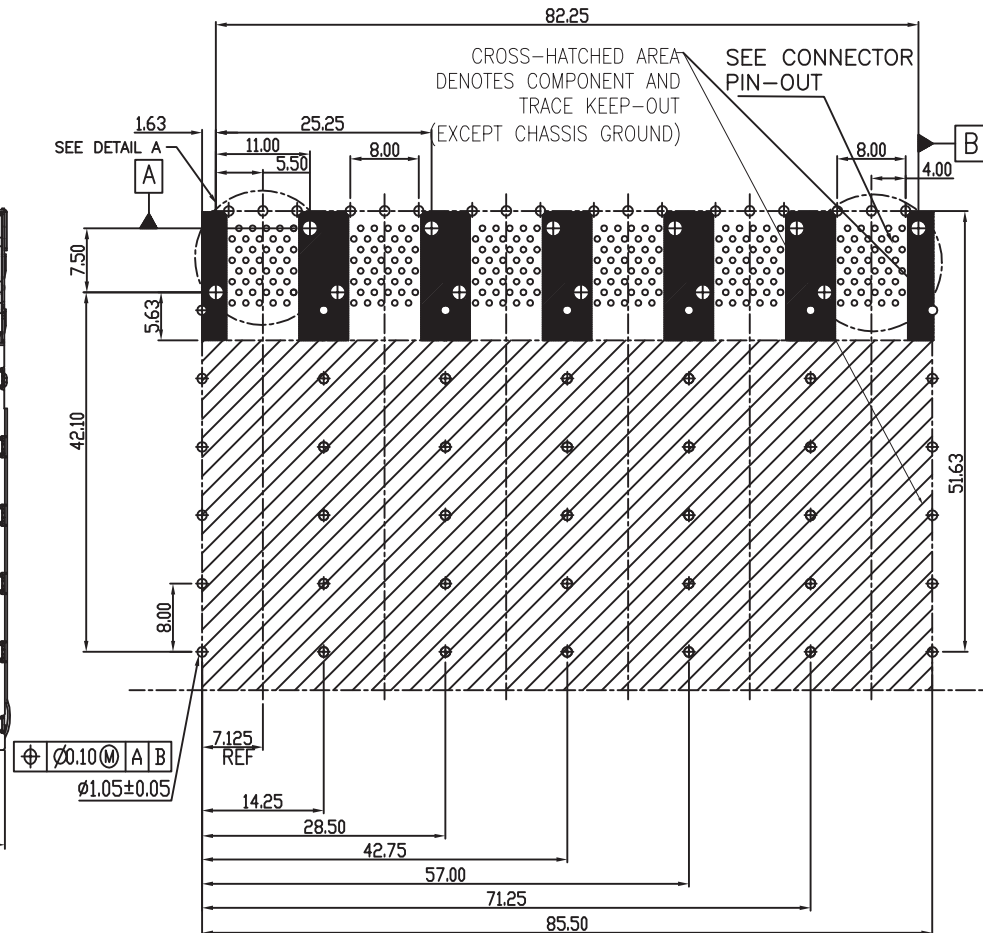
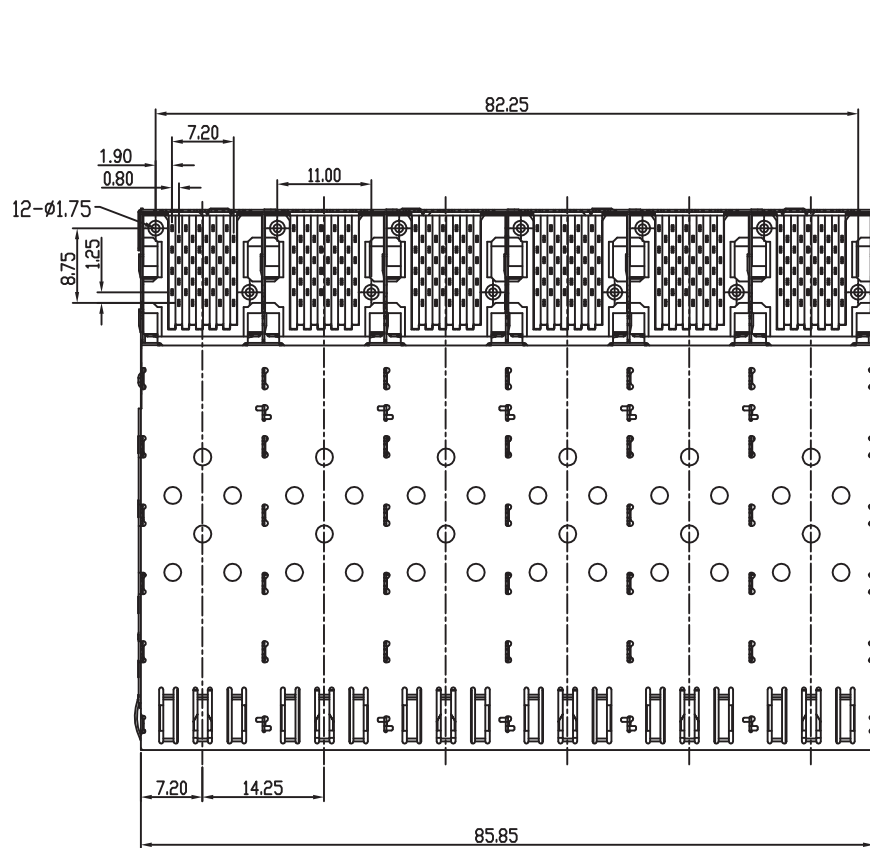
SHEET
1/4



.xx±0.25	.xx°±1.5°
.xxx±0.10	.xxx°±1.0°

DESIGND BY:
Sunny. Xu

CUSTOMER DRAWING



⊕ ∅0.10 (M) A B
 ∅1.05±0.05

RoHS Compliant

 **沃虎** 苏州沃虎电子科技有限公司
 VOHU Su Zhou Vohu Electronic Tech.Co.Ltd

TITLE: SFP 2×6 CONNECTOR
 LOW PROFILE

SIZE
 A4

UNITS
 MM[INCH]

GENERAL TOLERANCES
 UNLESS SPECIFIED

APPROVED BY:
 Geoffrey. Song

PART NO.:
 WHSFP06326D001

SACLE
 1:1

REV
 A0

x±0.35 x°±3.0°
 .xx±0.30 .x°±2.0°

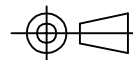
CHECKED BY:
 Elvis. Song

TEL: +86 400 1048 018

WEB: WWW.WOHU-TEK.COM

REMARK:

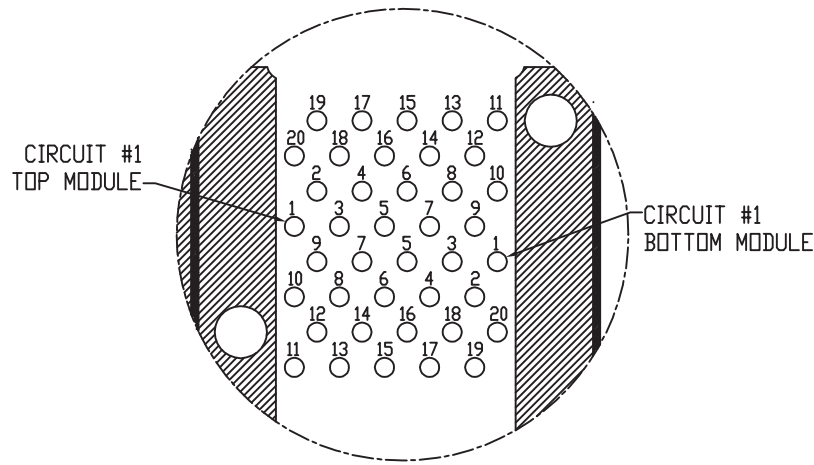
SHEET
 1/4



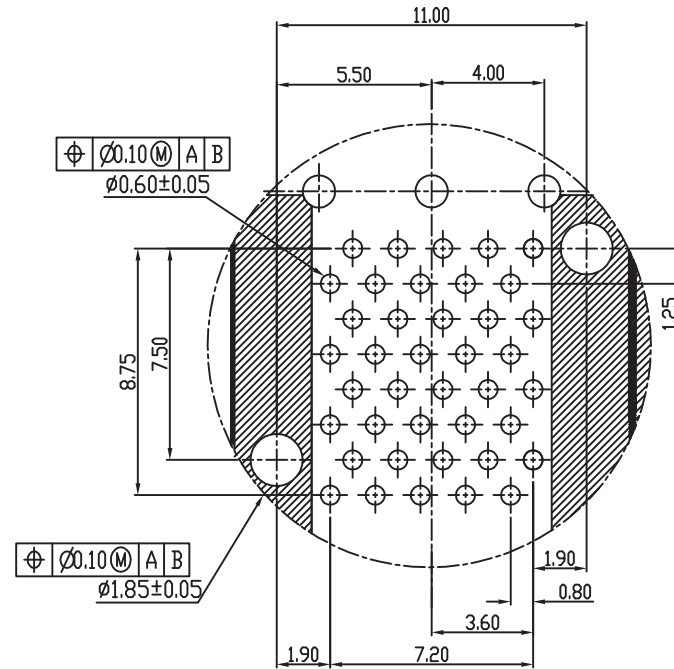
.xx±0.25 .xx°±1.5°
 .xxx±0.10 .xxx°±1.0°

DESIGND BY:
 Sunny. Xu

CUSTOMER DRAWING



CONNECTOR PIN-OUT
COMPONENT SIDE OF BOARD



DETAIL A
SCALE 6:1

RoHS Compliant

 **沃虎** 苏州沃虎电子科技有限公司
Su Zhou Voohu Electronic Tech.Co.Ltd

TITLE: SFP 2×6 CONNECTOR
LOW PROFILE

SIZE
A4

UNITS
MM[INCH]

GENERAL TOLERANCES
UNLESS SPECIFIED

APPROVED BY:
Geoffrey. Song

PART NO.:
WHSFP06326D001

SACLE
1:1

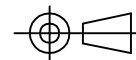
REV
A0

x±0.35	x°±3.0°
.xx±0.30	.x°±2.0°

CHECKED BY:
Elvis. Song

REMARK:

SHEET
1/4



.xx±0.25	.xx°±1.5°
.xxx±0.10	.xxx°±1.0°

DESIGND BY:
Sunny. Xu

TEL: +86 400 1048 018

WEB: WWW.WOHU-TEK.COM