

SC02

NOTE:

MATERIAL:

1. CONTACT: PHOSPHOR BRONZE.
2. CONNECTOR HOUSING: LCP UL 94V-0. COLOR: BLACK.
3. MOULDED INSERT: HIGH TEMPERATURE PLASTIC UL 94V-0. COLOR:BLACK.
4. CAGE: COPPER ALLOY.
5. LIGHT PIPES: POLYCARBONATE. UL 94V-0. COLOR:CLEAR
6. LIGHT PIPE HOUSING: PBT UL 94V-0 COLOR:BLACK.

PLATED:

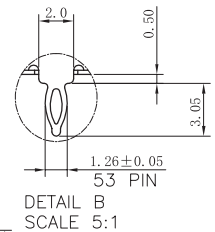
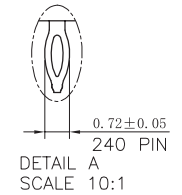
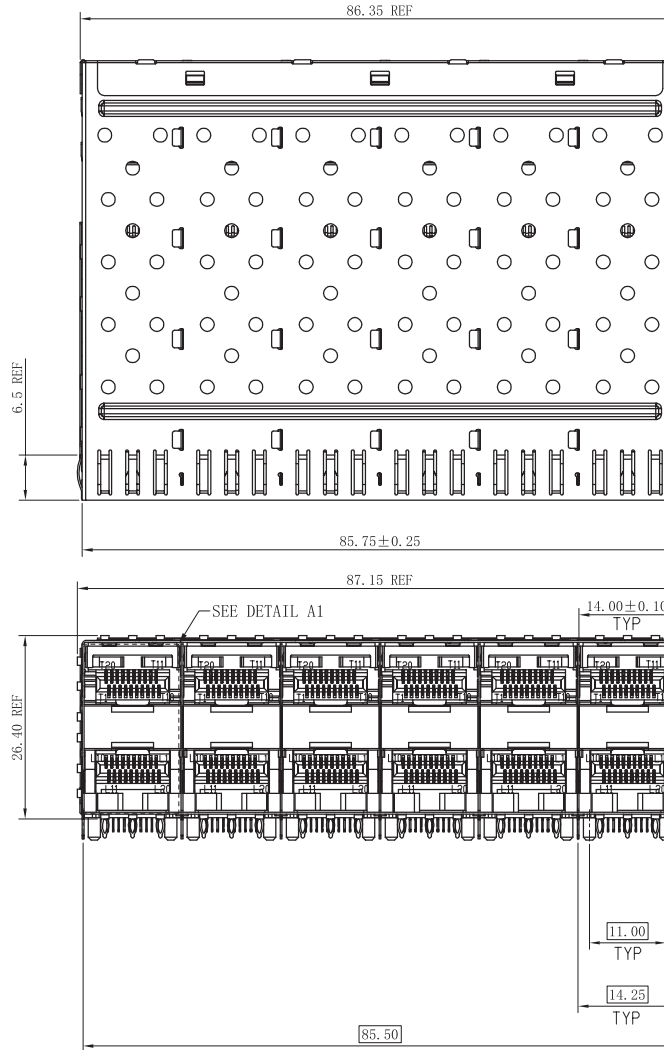
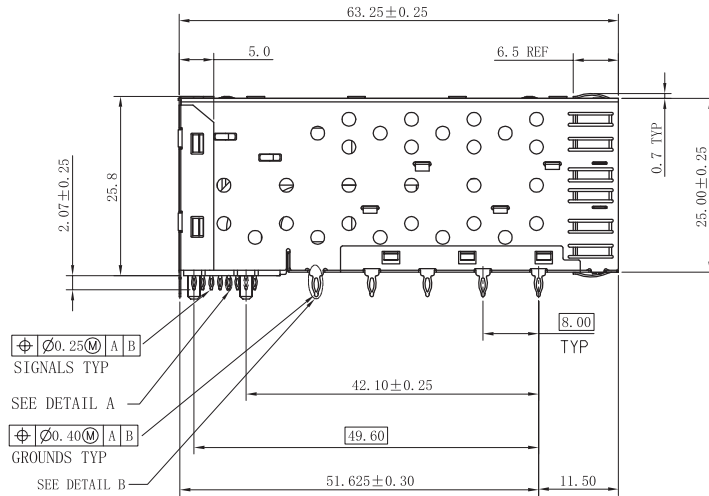
1. CONTACT MATING AREA : PLATING GOLD OVER 1.27 MICROMETERS MINIMUM NICKEL.
2. CONTACT NEEDLE EYE: 2.54 MICROMETERS MINIMUM MATTE TIN OVER 1.27 MICROMETERS MINIMUM NICKEL.

MECHANICAL REQUIREMENT:

1. DURABILITY: 100 CYCLES MIN.
2. INSERTION AND EXTRACTION FORCE: 40N MAX & 11.5N MAX

ENVIRONMENTAL:

1. LOW LEVEL CONTACT RESITANCE(LLCR):  
 $\Delta R$  10 MILLIOHMS MAXIMUM FOR SHIELD AND SIGNAL CONTACTS.
2. DIELECTRIC WITHSTANDING VOLTAGE: 300V AC/MAX.
3. INSULATION RESISTANCE:  $1 \times 10^9$  OHMS MINIMUM.
4. RATINGS CURRENT: 0.5 AMPS MAX.
5. RATINGS VOLTAGE: 30 VOLTS DC/AC(RMS) MAX.
6. OPERATION:  $-40^\circ\text{C} \sim +85^\circ\text{C}$ .
7. STORAGE:  $-55^\circ\text{C} \sim +105^\circ\text{C}$ .
8. ROHS COMPLIANT



RoHS Compliant

**沃虎** 苏州沃虎电子科技有限公司  
 VOOHU Su Zhou Voohu Electronic Tech.Co.Ltd

TEL: +86 400 1048 018

WEB: WWW.WOHU-TEK.COM

TITLE:  
SFP 2X6 CONNECTOR

PART NO.:  
WHSFP05926D004

REMARK:  
Gold plated 15u"

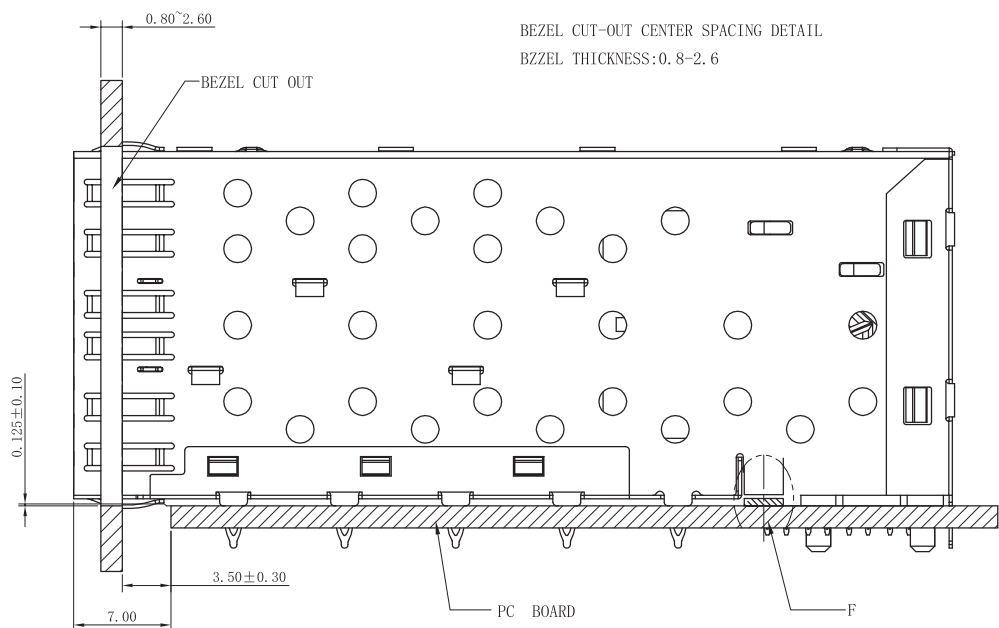
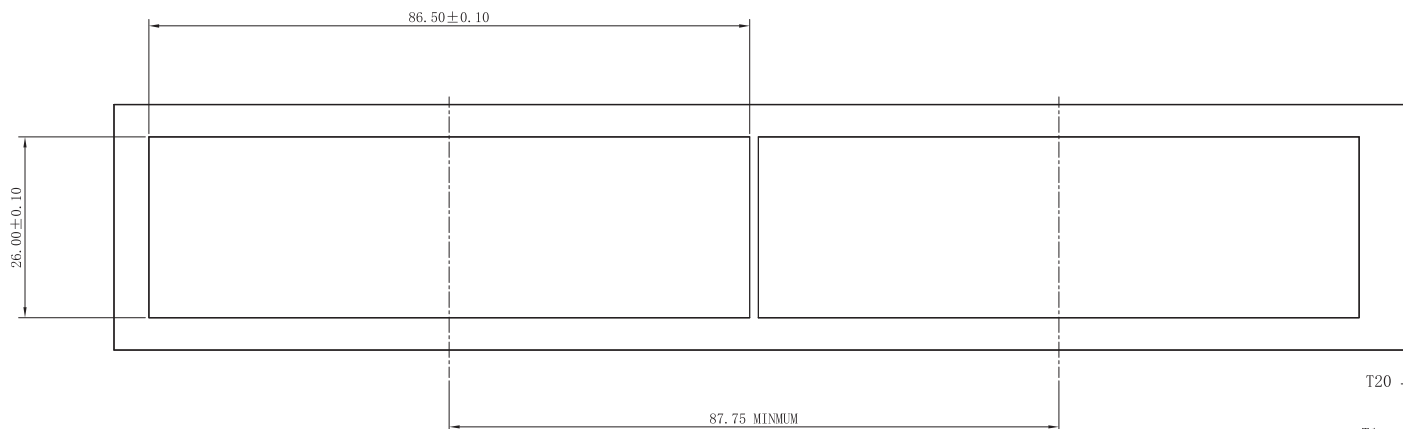
SIZE  
A4  
UNITS  
MM[INCH]  
SACLE  
1:1  
REV  
A0

SHEET  
1/4

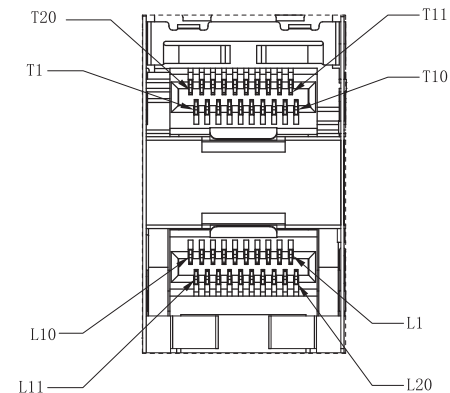
GENERAL TOLERANCES  
UNLESS SPECIFIED  
x±0.35  
.x±0.30  
.xx±0.25  
.xxx±0.10  
x°±3.0°  
.x°±2.0°  
.xx°±1.5°  
.xxx°±1.0°

APPROVED BY:  
Geoffrey. Song  
CHECKED BY:  
Elvis. Song  
DESIGND BY:  
Sunny. Xu

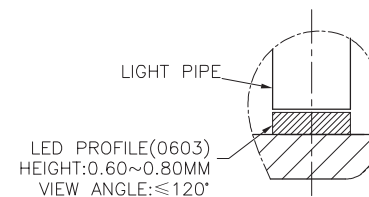
SC02



BEZEL CUT-OUT CENTER SPACING DETAIL  
BZZEL THICKNESS:0.8-2.6



DETAIL A1  
SCALE 4:1



DETAIL F  
SCALE 4:1

RoHS Compliant

**沃虎** 苏州沃虎电子科技有限公司  
VOOHU Su Zhou Voohu Electronic Tech.Co.Ltd

TEL: +86 400 1048 018

WEB: WWW.WOHU-TEK.COM

TITLE:  
SFP 2X6 CONNECTOR

PART NO.:  
WHSFP05926D004

REMARK:  
Gold plated 15u"

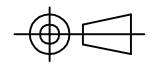
SIZE  
A4

SACLE  
1:1

SHEET  
1/4

UNITS  
MM[INCH]

REV  
A0



GENERAL TOLERANCES  
UNLESS SPECIFIED

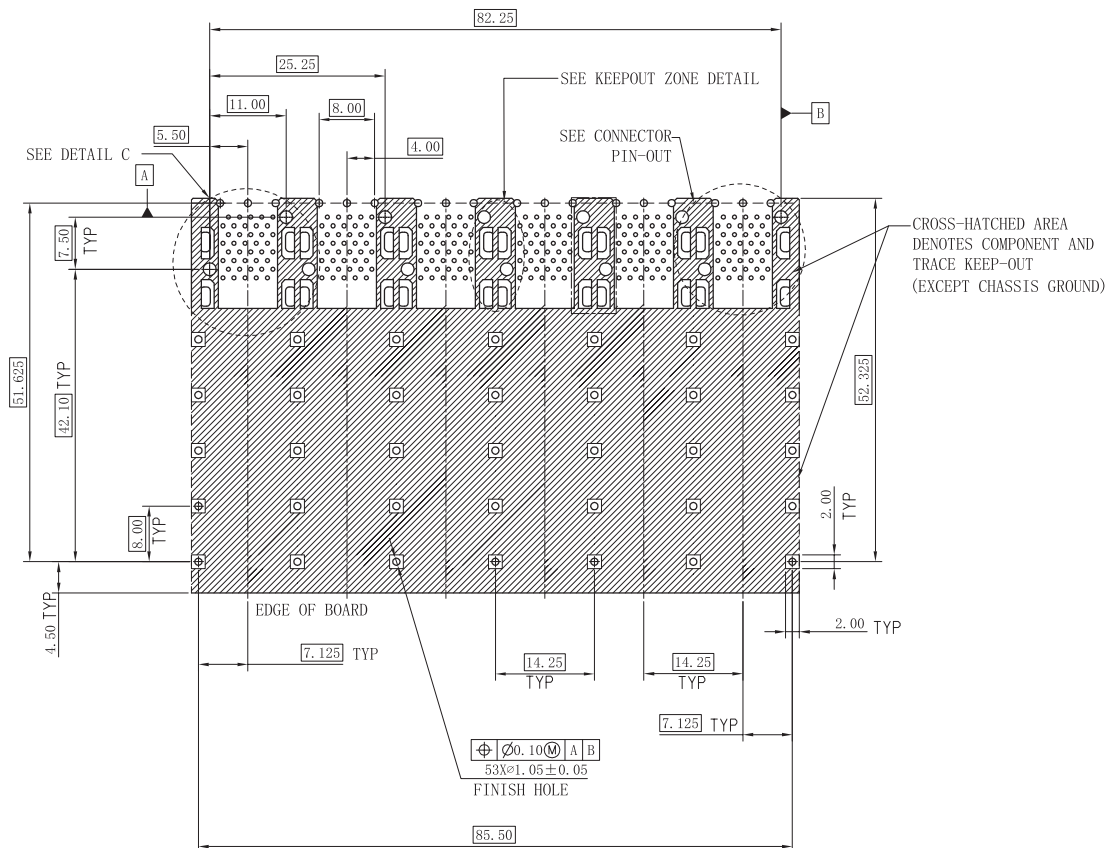
$x \pm 0.35$	$x^\circ \pm 3.0^\circ$
$.x \pm 0.30$	$.x^\circ \pm 2.0^\circ$
$.xx \pm 0.25$	$.xx^\circ \pm 1.5^\circ$
$.xxx \pm 0.10$	$.xxx^\circ \pm 1.0^\circ$

APPROVED BY:  
Geoffrey.Song

CHECKED BY:  
Elvis.Song

DESIGND BY:  
Sunny.Xu

SC02



RECOMMENDED PCB LAYOUT—COMPONENT SIDE  
RECOMMENDED PCB THICKNESS—2.63MM

THE ENTIRE AREA OF THE CONNECTOR FOOTPRINT  
TO BE CONSIDERED THE KEEP OUT AREA FOR COMPONENTS  
(OTHER THAN LIGHT PIPE LED'S)  
THIS AREA IS INDICATED BY THE DASHED LINE

CROSS-HATCHED AREA  
DENOTES COMPONENT AND  
TRACE KEEP-OUT  
(EXCEPT CHASSIS GROUND)

RoHS Compliant

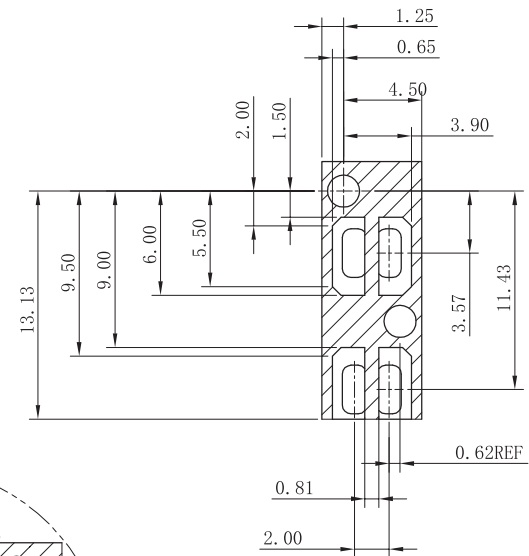
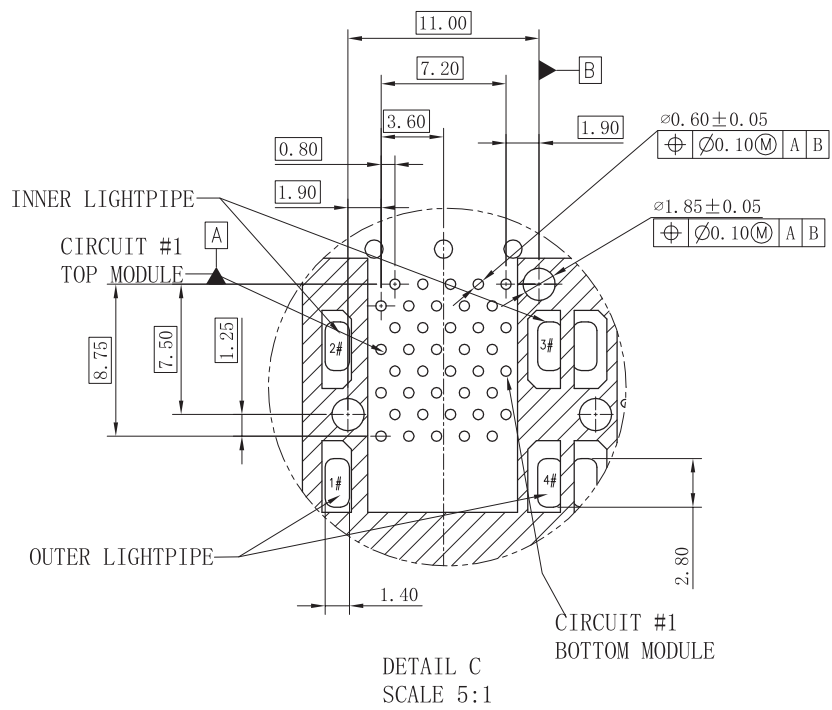


TITLE: SFP 2X6 CONNECTOR	SIZE A4	UNITS MM[INCH]	GENERAL TOLERANCES UNLESS SPECIFIED		APPROVED BY: Geoffrey. Song
			x±0.35	x°±3.0°	
PART NO.: WHSFP05926D004	SACLE 1:1	REV A0	.x±0.30	.x°±2.0°	CHECKED BY: Elvis. Song
			.xx±0.25	.xx°±1.5°	
REMARK: Gold plated 15u"	SHEET 1/4		.xxx±0.10	.xxx°±1.0°	DESIGND BY: Sunny. Xu

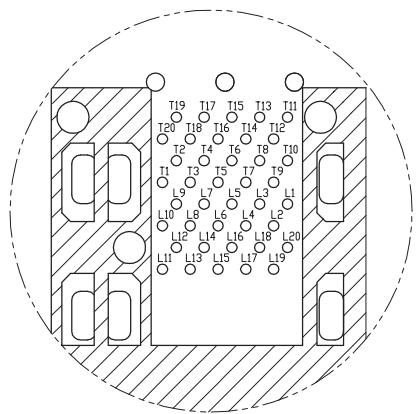
TEL: +86 400 1048 018

WEB: WWW.WOHU-TEK.COM

SC02


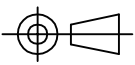


KEEP-OUT ZONE  
DETAIL SCALE 5:1



CONNECTOR PIN-OUT  
COMPONENT SIDE OF BOARD

RoHS Compliant

 <b>沃虎</b> 苏州沃虎电子科技有限公司 VOOHU Su Zhou Vohu Electronic Tech.Co.Ltd	<b>TITLE:</b> SFP 2X6 CONNECTOR		<b>SIZE</b> A4	<b>UNITS</b> MM[INCH]	<b>GENERAL TOLERANCES</b> UNLESS SPECIFIED		<b>APPROVED BY:</b> Geoffrey.Song	
	<b>PART NO.:</b> WHSFP05926D004		<b>SACLE</b> 1:1	<b>REV</b> A0	$x \pm 0.35$ $.x \pm 0.30$	$x^\circ \pm 3.0^\circ$ $.x^\circ \pm 2.0^\circ$	<b>CHECKED BY:</b> Elvis.Song	
TEL: +86 400 1048 018	WEB: WWW.WOHU-TEK.COM	<b>REMARK:</b> Gold plated 15u"		<b>SHEET</b> 1/4		$.xx \pm 0.25$ $.xxx \pm 0.10$	$.xx^\circ \pm 1.5^\circ$ $.xxx^\circ \pm 1.0^\circ$	<b>DESIGND BY:</b> Sunny.Xu