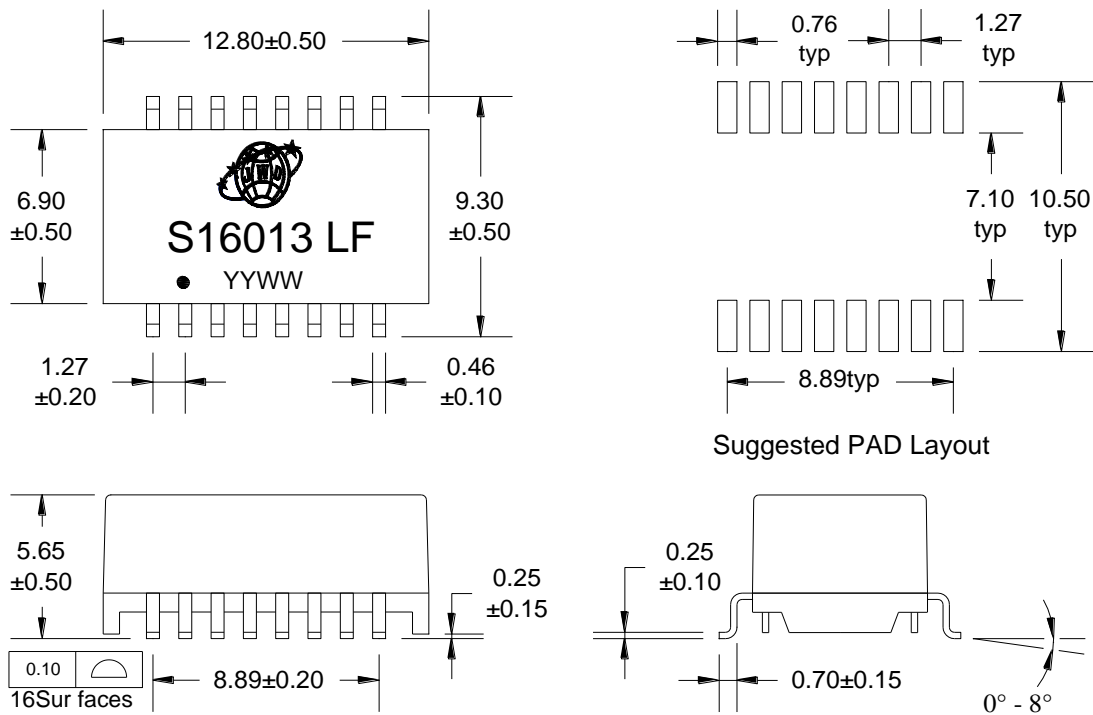




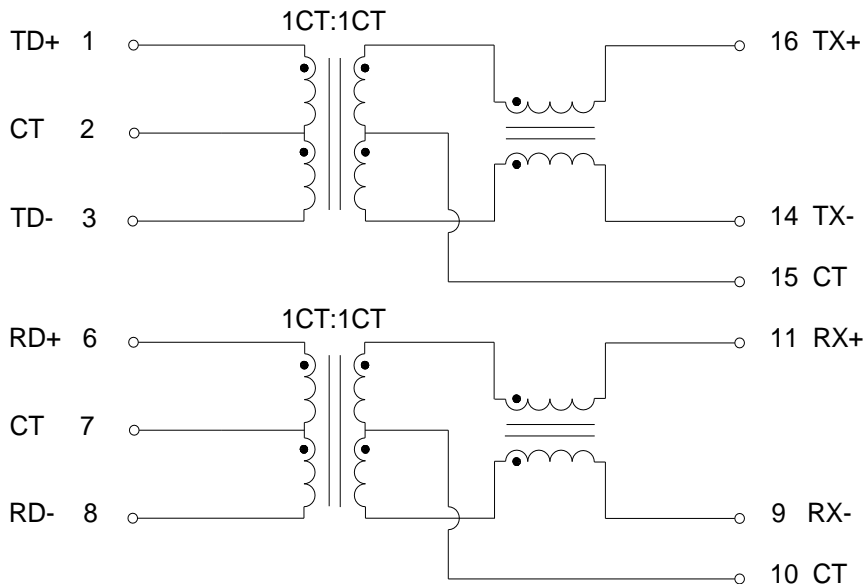
# 四川经纬达科技集团有限公司

Sichuan Jingweida Technology Group Co., Ltd

## A. MECHANICAL(unit:mm)



## B. SCHEMATICS



DESCRIPTION	JWD P/N	SPEC NO.	REV: R0
10/100 BASE-TX	S16013 LF		PAGE: 1/3



# 四川经纬达科技集团有限公司

Sichuan Jingweida Technology Group Co., Ltd

## C. ELECTRICAL SPECIFICATIONS @25°C

1. OCL: 350uH Min @ 100 KHz, 0.1V with 8mA DC BIAS
2. Leakage Inductance: 0.5uH Max @ 100KHz, 0.1V
3. DCR: 1400mΩ Max
4. Turns Ratio: 1CT:1CT±5%
5. Insertion Loss: -1.1 dB Max @ 1-100 MHz
6. Return Loss: -18 dB Min @ 1-30 MHz  
-14.4 dB Min @ 40 MHz  
-13.1 dB Min @ 50 MHz  
-12 dB Min @ 60-80 MHz
7. Cross Talk: -30 dB Min @ 1-100 MHz
8. Common Mode Rejection: -30 dB Min @ 1-100 MHz
9. Isolation Hipot: 1500VAC 1mA 60S
10. Operating temperature 0°C to +70°C
11. Storage temperature -40°C to +85°C

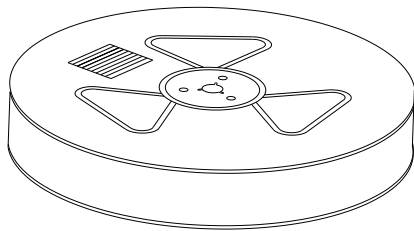
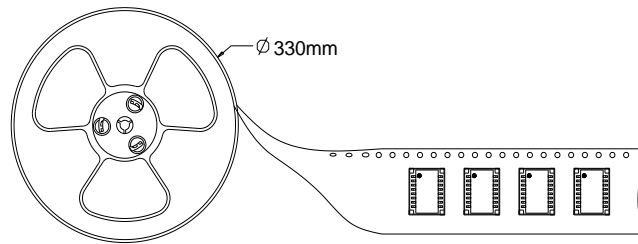
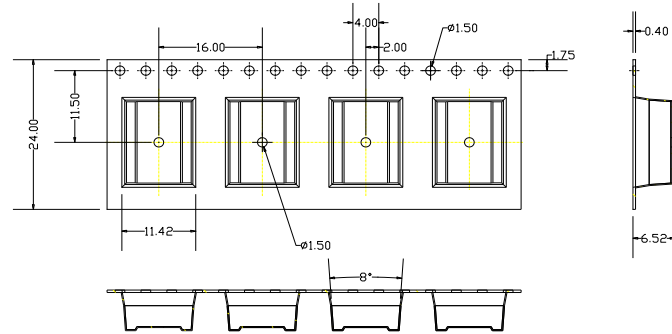
DESCRIPTION	JWD P/N	SPEC NO.	REV: R0
10/100 BASE-TX	S16013 LF		PAGE: 2/3



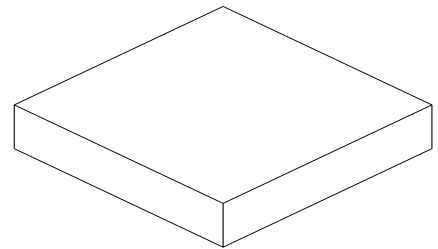
# 四川经纬达科技集团有限公司

Sichuan Jingweida Technology Group Co., Ltd

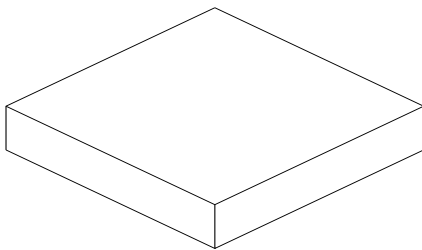
## D. PACKAGE INFORMATION



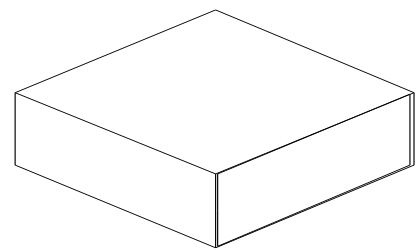
three reel



Inner Carton



two Inner Carton



Export Carton

Package Quantity:

One Reel=600Pcs

One Inner Carton=600\*3=1800Pcs

One Export Carton=1800\*2=3600Pcs

DESCRIPTION	JWD P/N	SPEC NO.	REV: R0
10/100 BASE-TX	S16013 LF		PAGE: 3/3