

# APPROVED SHEET

CUSTOMER: \_\_\_\_\_

CUSTOMER P/N: \_\_\_\_\_

JWD P/N: \_\_\_\_\_

DG96502 G

REV: \_\_\_\_\_

R0

DESCRIPTION: \_\_\_\_\_

100/1000 BASE-T

CUSTOMER APPROVAL		COMPANY APPROVAL	
INSPECTED BY:		ISSUED BY:	Katherine
CHECKED BY:		CHECKED BY:	
APPROVED BY:		APPROVED BY:	
APPROVED DATE:		ISSUED DATE:	2018-11-19

Please Return One Copy to Us After Approved,TKS! (承认后请回寄一份,谢谢)



四川经纬达科技集团有限公司

Sichuan Jingweida Technology Group Co., Ltd

地址: 四川省绵阳市高新区永兴镇永兴工业园

ADD: YongXing Industrial of High-tech Zone In Mianyang City,

Sichuan Province

TEL: +86-816-2561202 FAX: +86-816-2562518

E-MAIL: myjwd@myjwd.com

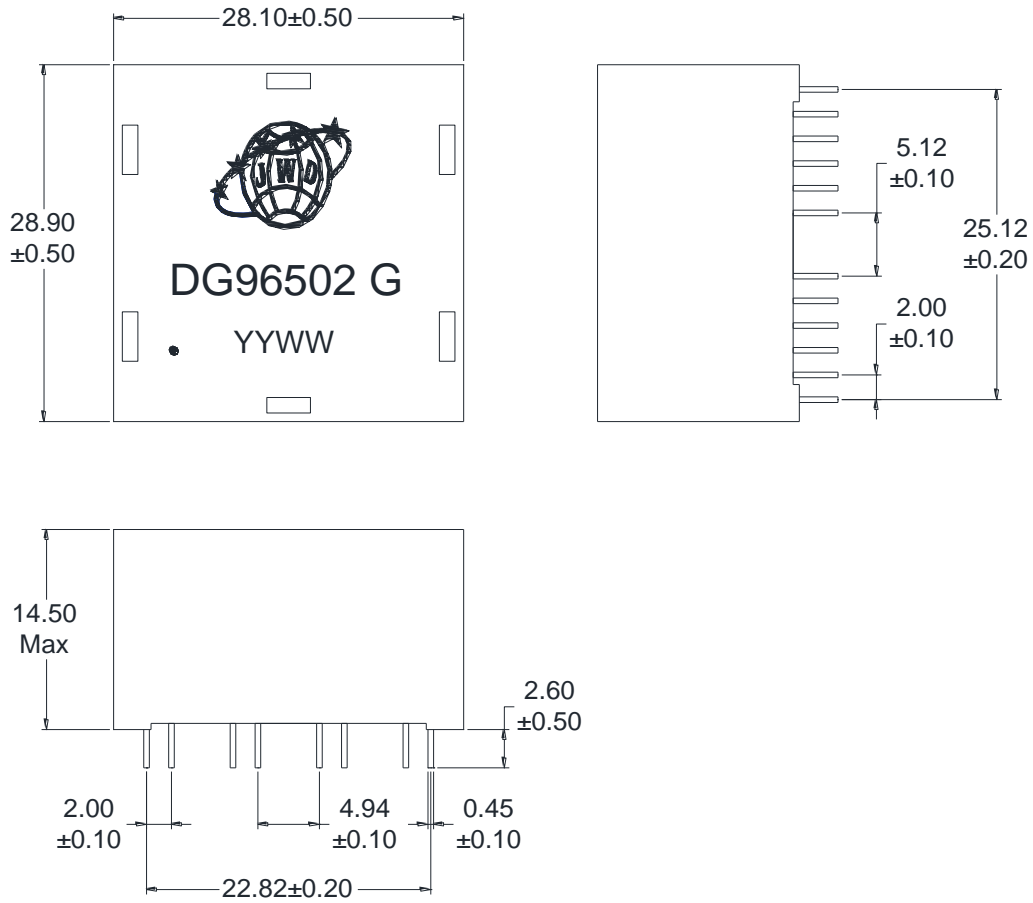
WEB: www.myjwd.com



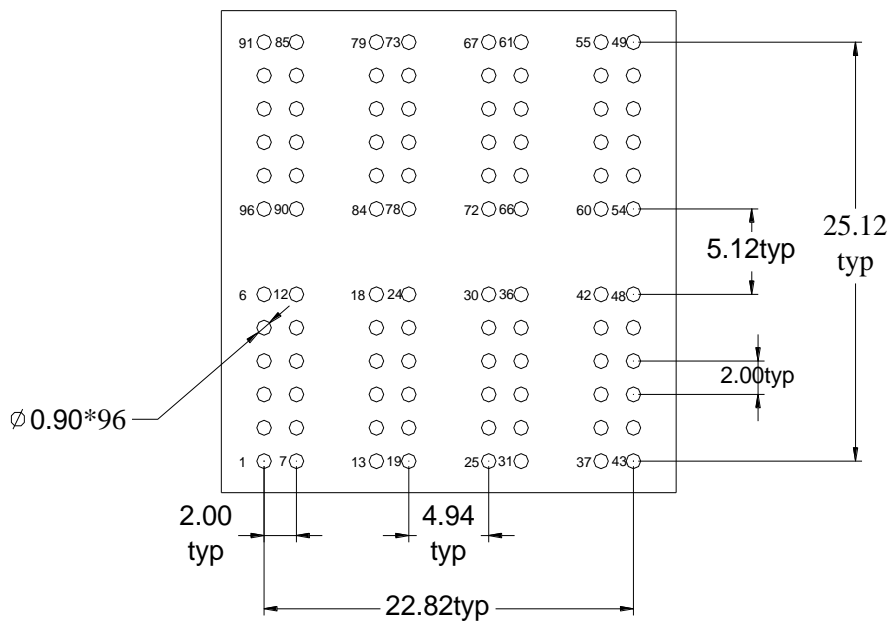
# 四川经纬达科技集团有限公司

Sichuan Jingweida Technology Group Co., Ltd

## A. MECHANICAL(unit:mm)



## B. PCB Layout mounting Hole(Top View)



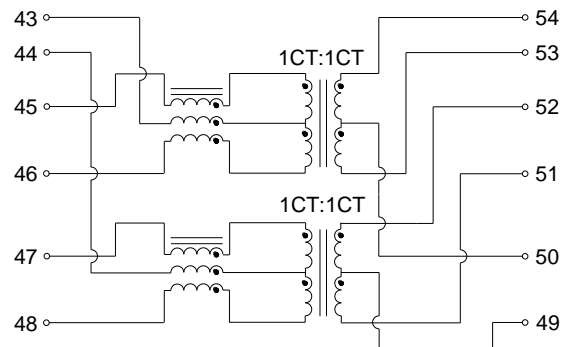
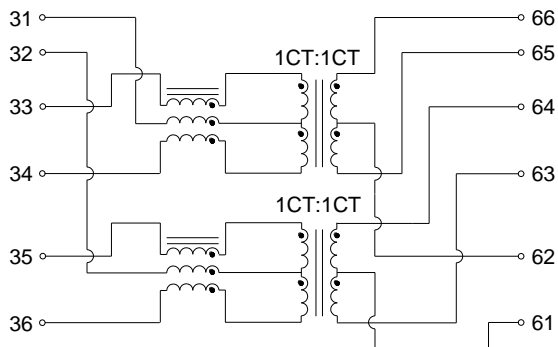
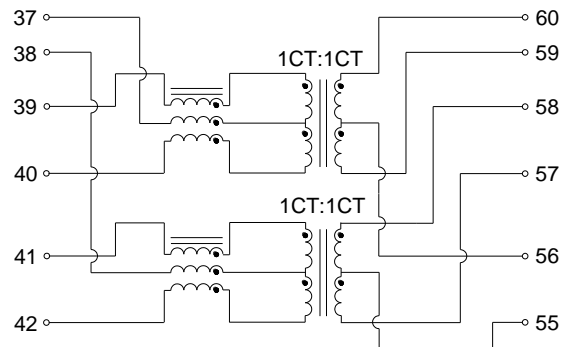
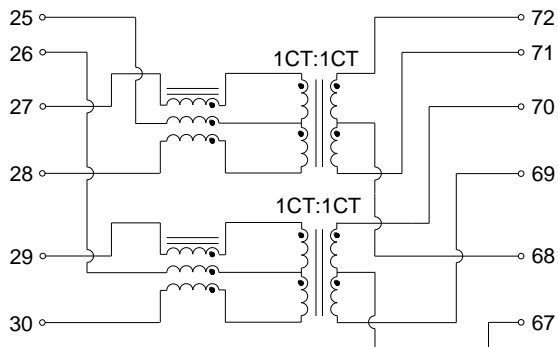
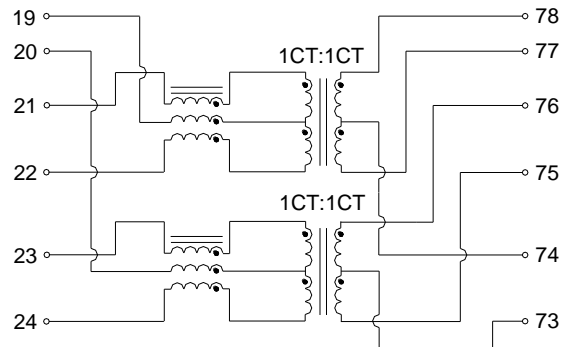
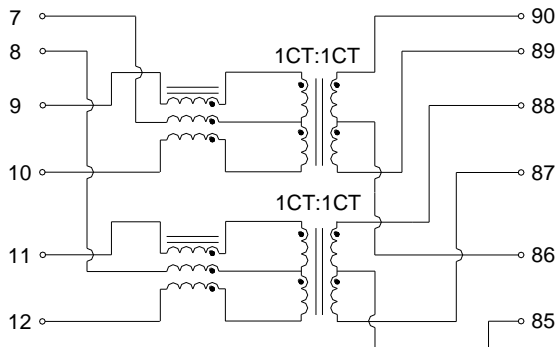
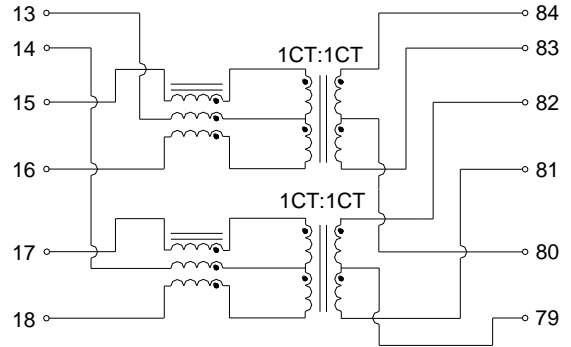
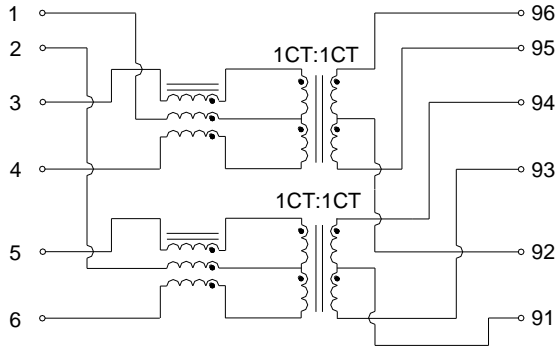
DESCRIPTION	JWD P/N	SPEC NO.	REV: R0
100/1000 BASE-T	DG96502 G		PAGE: 1/4



# 四川经纬达科技集团有限公司

Sichuan Jingweida Technology Group Co., Ltd

## C. SCHEMATICS



DESCRIPTION	JWD P/N	SPEC NO.	REV: R0
100/1000 BASE-T	DG96502 G		PAGE: 2/4



# 四川经纬达科技集团有限公司

Sichuan Jingweida Technology Group Co., Ltd

## D. ELECTRICAL SPECIFICATIONS @25°C

1. OCL: 350 uH Min @ 100KHz, 0.1V 8mA DC BIAS
2. Leakage Inductance: 0.5 uH Max @ 100KHz, 0.1V
3. DCR: 1400 mΩ Max
4. Turns Ratio: 1CT:1CT±5%
5. Insertion Loss: -1.2 dB Max @ 0.5-1 MHz  
-0.2-0.002\*f<sup>1.4</sup> dB Max @ 1-125 MHz
6. Return Loss: -16 dB Min @ 1-40 MHz  
-10+20\*log (f/80) dB Min @ 40.1-100 MHz
7. Cross Talk: -30 dB Min @ 1-100 MHz
8. Common Mode Rejection: -30 dB Min @ 1-100 MHz
9. Isolation Hipot: 1500VAC 1mA 60S
10. Operating temperature 0°C to +70°C
11. Storage temperature -40°C to +85°C

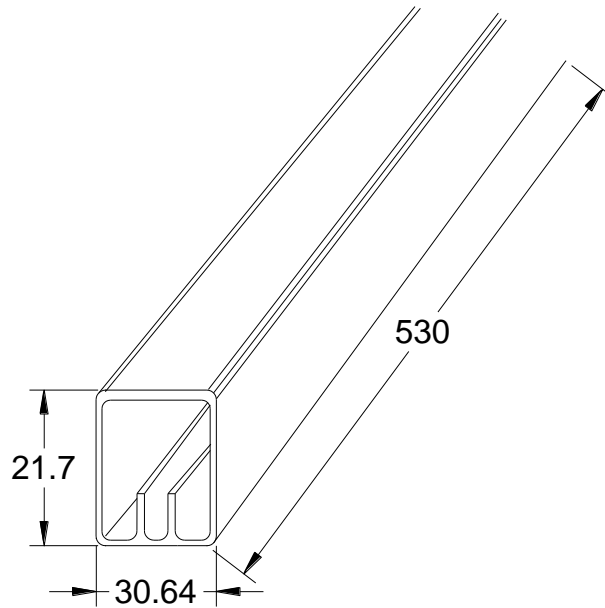
DESCRIPTION	JWD P/N	SPEC NO.	REV: R0
100/1000 BASE-T	DG96502 G		PAGE: 3/4



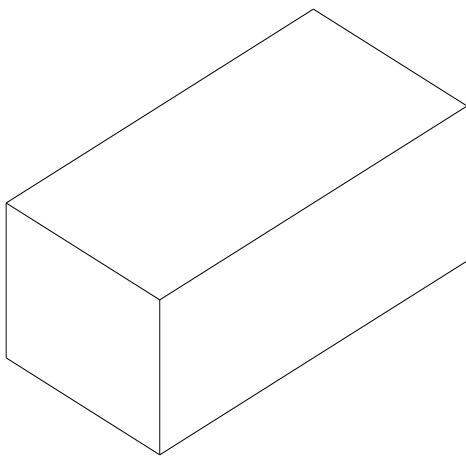
# 四川经纬达科技集团有限公司

Sichuan Jingweida Technology Group Co., Ltd

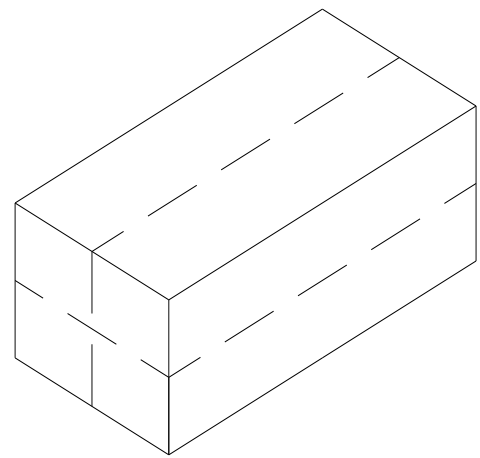
## E. PACKAGE INFORMATION



Tube: 530\*30.64\*21.7mm



Inner Carton: L575\*W170\*H87mm



Export Carton: L583\*W380\*H210mm

### Package Quantity:

One Tube=17Pcs

One Inner Carton=17\*20=340Pcs

One Export Carton=340\*4=1360Pcs

DESCRIPTION	JWD P/N	SPEC NO.	REV: R0
100/1000 BASE-T	DG96502 G		PAGE: 4/4