

APPROVED SHEET

CUSTOMER: _____

CUSTOMER P/N: _____

JWD P/N: DG24102 G

REV: R0

DESCRIPTION: 100/1000 BASE-T

CUSTOMER APPROVAL		COMPANY APPROVAL	
INSPECTED BY:		ISSUED BY:	Sea
CHECKED BY:		CHECKED BY:	
APPROVED BY:		APPROVED BY:	
APPROVED DATE:		ISSUED DATE:	2019-5-22

Please Return One Copy to Us After Approved,TKS! (承认后请回寄一份,谢谢)



四川经纬达科技集团有限公司

Sichuan Jingweida Technology Group Co., Ltd

地址: 绵阳高新区防震减灾产业园

ADD: Protecting Against and Mitigating Earthquake Disasters Industrial Park,
High-tech Zone, Mianyang, Sichuan 621000 CHINA.

TEL: +86-816-2561202 FAX: +86-816-2562518

E-MAIL: myjwd@myjwd.com

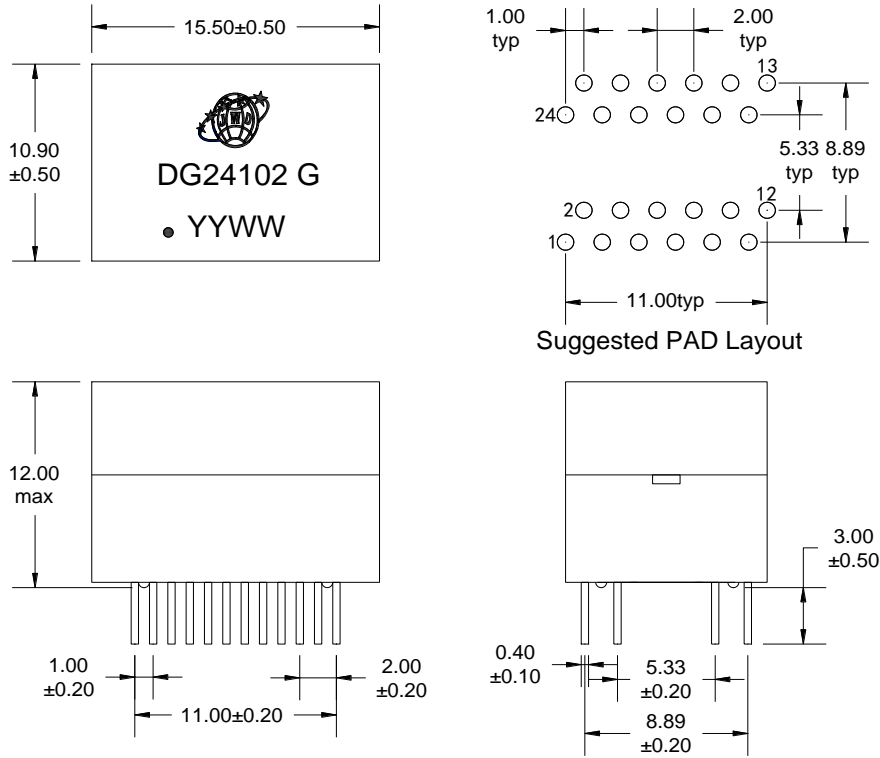
WEB: www.myjwd.com



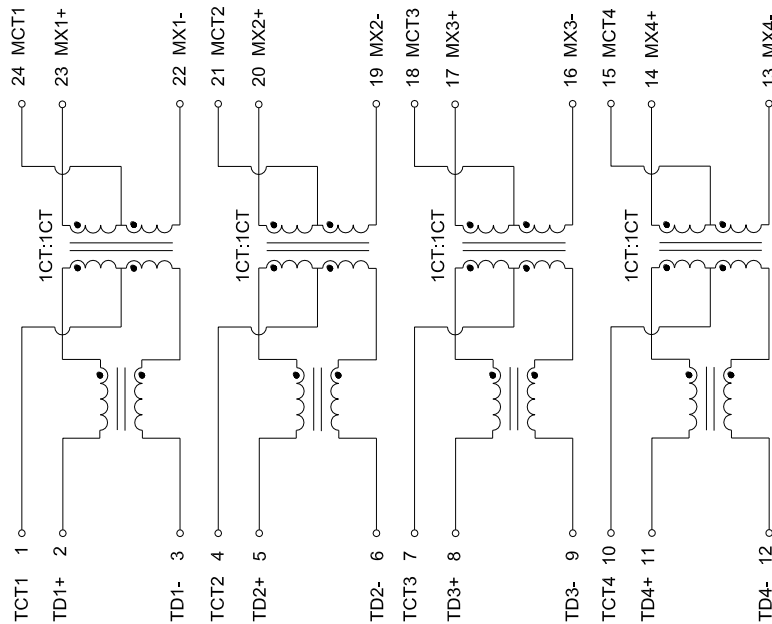
四川经纬达科技集团有限公司

Sichuan Jingweida Technology Group Co., Ltd

A. MECHANICAL(unit:mm)



B. SCHEMATICS



DESCRIPTION	JWD P/N	SPEC NO.	REV: R0
100/1000 BASE-T	DG24102 G		PAGE: 1/3



四川经纬达科技集团有限公司

Sichuan Jingweida Technology Group Co., Ltd

C. ELECTRICAL SPECIFICATIONS @25°C

1. OCL: 350uH Min @ 100KHz, 0.1V 8mA DC BIAS
2. Leakage Inductance: 0.5uH Max @ 100KHz, 0.1V
3. DCR: 1400mΩ Max
4. Turns Ratio: 1CT:1CT±5%
5. Insertion Loss: -1.1 dB Max @ 1-100 MHz
6. Return Loss: -18 dB Min @ 1-30 MHz
-14.4 dB Min @ 40 MHz
-13.1 dB Min @ 50 MHz
-12 dB Min @ 60-80 MHz
-10 dB Min @ 100 MHz
7. Cross Talk: -30 dB Min @ 1-100 MHz
8. Common Mode Rejection: -30 dB Min @ 1-100 MHz
9. Isolation Hipot: 1500VAC 1mA 60S
10. Operating temperature 0°C to +70°C
11. Storage temperature -40°C to +85°C

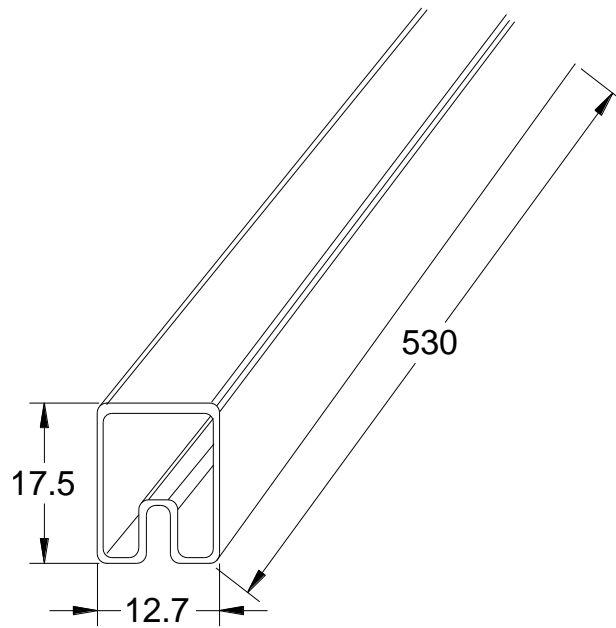
DESCRIPTION	JWD P/N	SPEC NO.	REV: R0
100/1000 BASE-T	DG24102 G		PAGE: 2/3



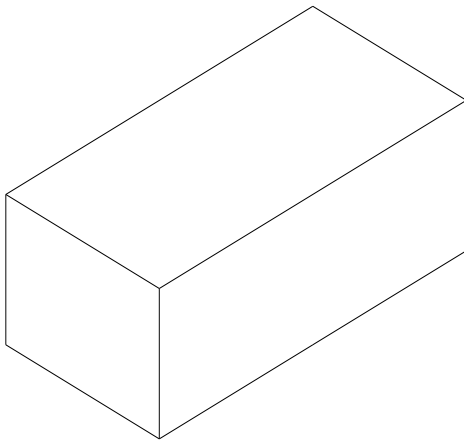
四川经纬达科技集团有限公司

Sichuan Jingweida Technology Group Co., Ltd

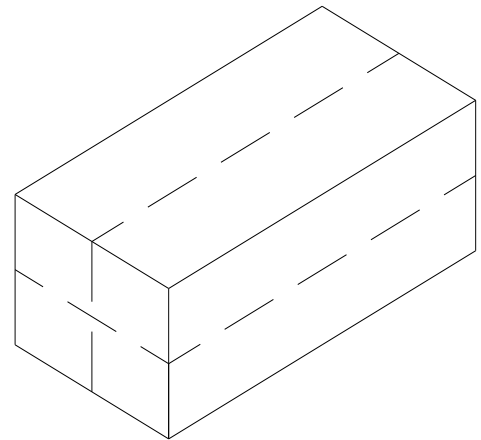
D. PACKAGE INFORMATION



Tube: 530*17.5*12.7mm



Inner Carton: L570*W180*H100mm



Export Carton: L580*W380*H240mm

Package Quantity:

One Tube=32Pcs

One Inner Carton=32*50=1600Pcs

One Export Carton=1600*4=6400Pcs

DESCRIPTION	JWD P/N	SPEC NO.	REV: R0
100/1000 BASE-T	DG24102 G		PAGE: 3/3