

APPROVED SHEET

CUSTOMER: _____

CUSTOMER P/N: _____

JWD P/N: DG48209P G

REV: R0

DESCRIPTION: 100/1000 BASE-T

CUSTOMER APPROVAL		COMPANY APPROVAL	
INSPECTED BY:		ISSUED BY:	Eason
CHECKED BY:		CHECKED BY:	
APPROVED BY:		APPROVED BY:	
APPROVED DATE:		ISSUED DATE:	2019-4-10

Please Return One Copy to Us After Approved,TKS! (承认后请回寄一份,谢谢)



四川经纬达科技集团有限公司

Sichuan Jingweida Technology Group Co., Ltd

地址: 四川省绵阳市高新区永兴镇永兴工业园

ADD: YongXing Industrial of High-tech Zone In Mianyang City,

Sichuan Province

TEL: +86-816-2561202 FAX: +86-816-2562518

E-MAIL: myjwd@myjwd.com

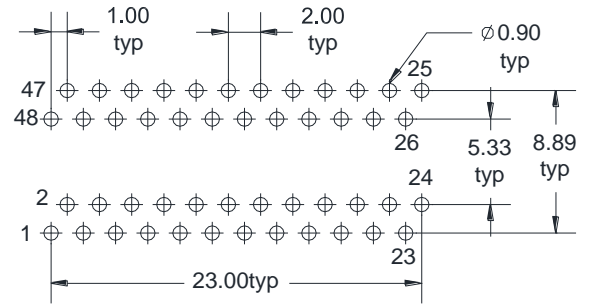
WEB: www.myjwd.com



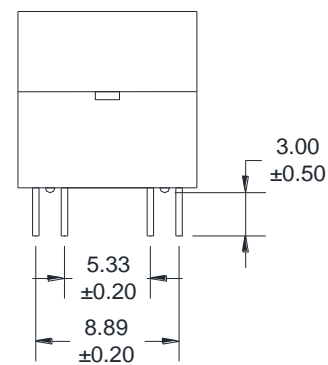
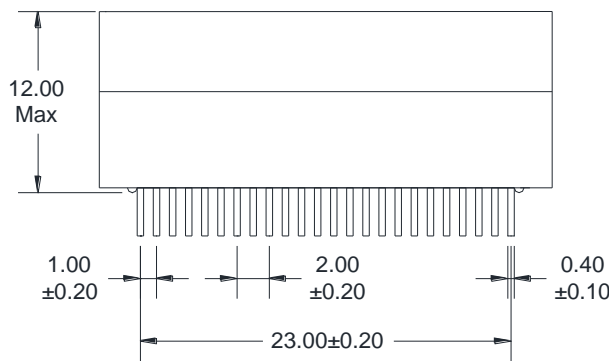
四川经纬达科技集团有限公司

Sichuan Jingweida Technology Group Co., Ltd

A. MECHANICAL(unit:mm)

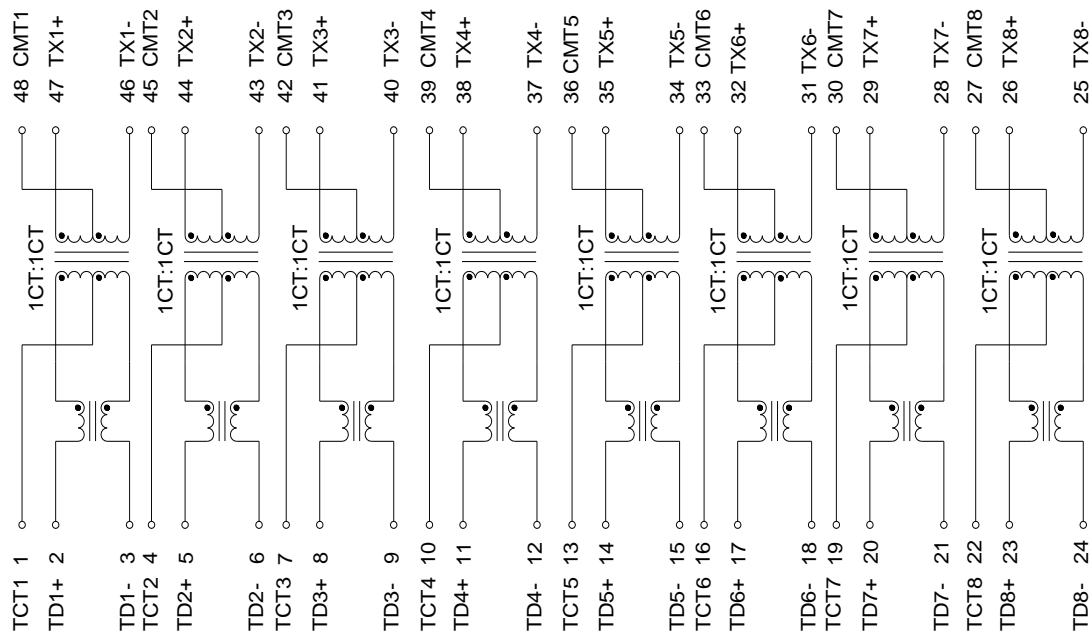


Suggestde PAD Layout



B. SCHEMATICS

Cable Side



Chip Side

DESCRIPTION	JWD P/N	SPEC NO.	REV: R0
100/1000 BASE-T	DG48209P G		PAGE: 1/3



四川经纬达科技集团有限公司

Sichuan Jingweida Technology Group Co., Ltd

C. ELECTRICAL SPECIFICATIONS @25°C

1. OCL: 350uH Min @ 100 KHz, 0.1V 8mA DC BIAS
2. Leakage Inductance: 0.5uH Max @ 100KHz, 0.1V
3. DCR: 1400mΩ Max
4. Turns Ratio: 1CT:1CT±5%
5. Insertion Loss: -1.2 dB Max @ 0.5-1 MHz
-0.2-0.002*f^{1.4} dB Max @ 1-125 MHz
6. Return Loss: -16 dB Min @ 1-40 MHz
-10+20*log (f/80) dB Min @ 40.1-100 MHz
7. Cross Talk: -30 dB Min @ 1-100 MHz
8. Common Mode Rejection: -30 dB Min @ 1-100 MHz
9. Isolation Hipot: 1500VAC 1mA 60S
10. Operating temperature 0°C to +70°C
11. Storage temperature -40°C to +85°C
12. IEEE802.3at compliant performance---720mA Current Capability

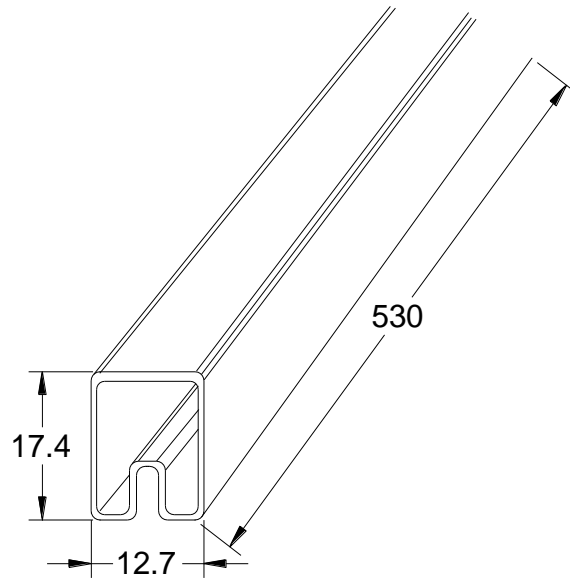
DESCRIPTION	JWD P/N	SPEC NO.	REV: R0
100/1000 BASE-T	DG48209P G		PAGE: 2/3



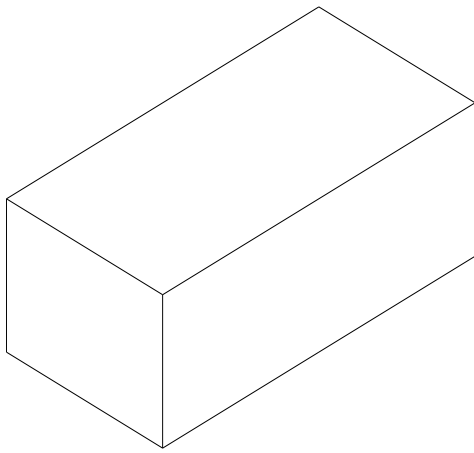
四川经纬达科技集团有限公司

Sichuan Jingweida Technology Group Co., Ltd

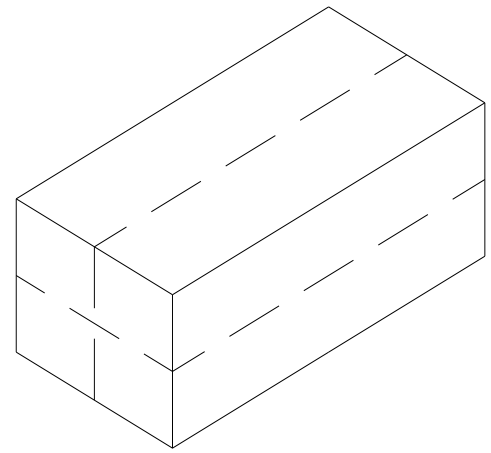
D. PACKAGE INFORMATION



Tube: 530*12.7*17.4mm



Inner Carton: L570*W180*H100mm



Export Carton: L580*W380*H240mm

Package Quantity:

One Tube=18Pcs

One Inner Carton=18*50=900Pcs

One Export Carton=900*4=3600Pcs

DESCRIPTION	JWD P/N	SPEC NO.	REV: R0
100/1000 BASE-T	DG48209P G		PAGE: 3/3