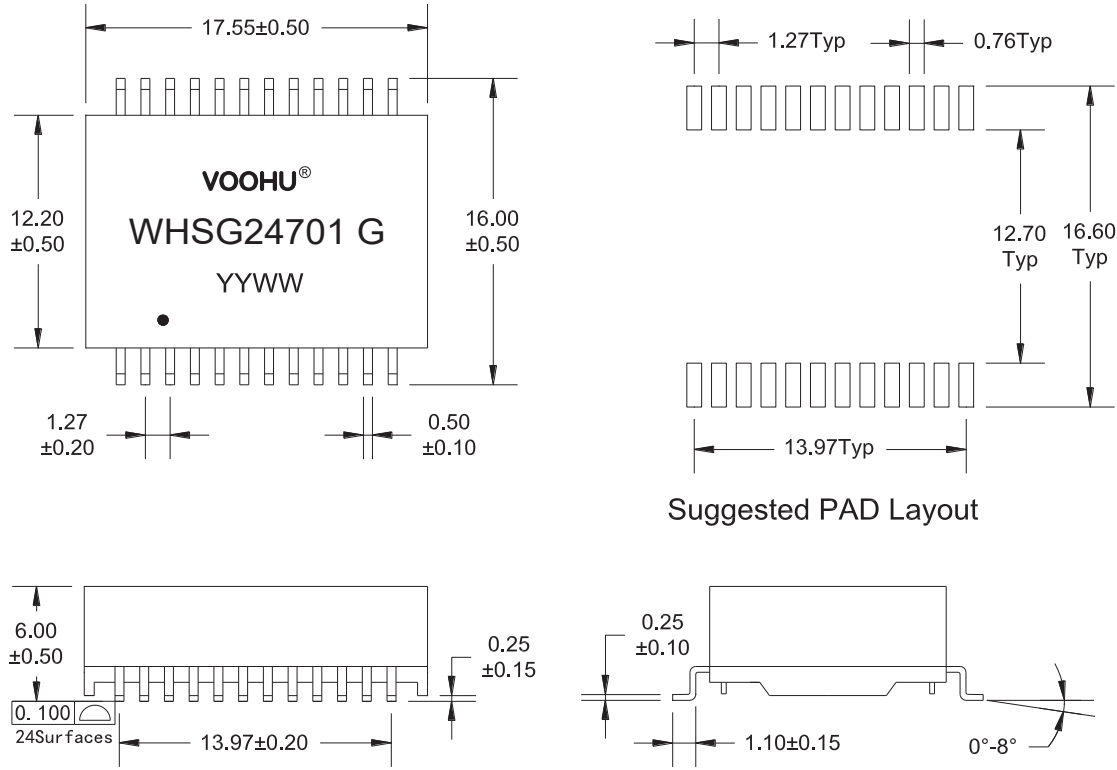
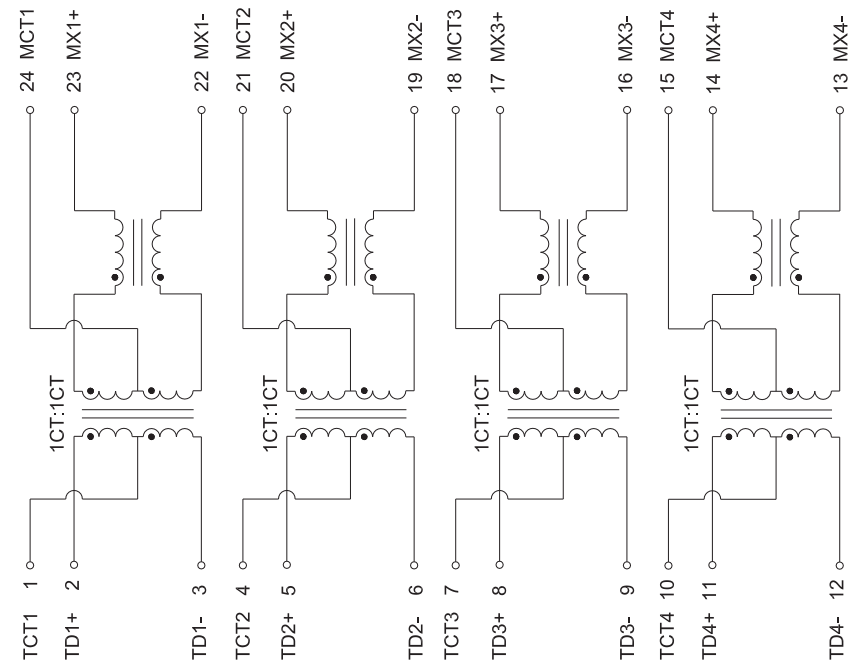


**A. MECHANICAL(unit:mm)**



**B. SCHEMATICS**



**VOOHU** 苏州沃虎电子科技有限公司  
Su Zhou Voohu Electronic Tech.Co.Ltd

TITLE: 100/1000 BASE-T  
PART NO.: WHSG24701 G

SIZE A4  
SACLE 1:1  
SHEET 1/2

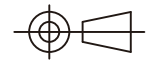
UNITS MM[INCH]  
REV A0  
GENERAL TOLERANCES UNLESS SPECIFIED  

x±0.35	x°±3.0°
.x±0.30	.x°±2.0°
.xx±0.25	.xx°±1.5°
.xxx±0.10	.xxx°±1.0°

APPROVED BY: Geoffrey.Song  
CHECKED BY: Elvis.Song  
DESIGND BY: Sunny.Xu

TEL: +86 400 1048 018  
WEB: WWW.WOHU-TEK.COM

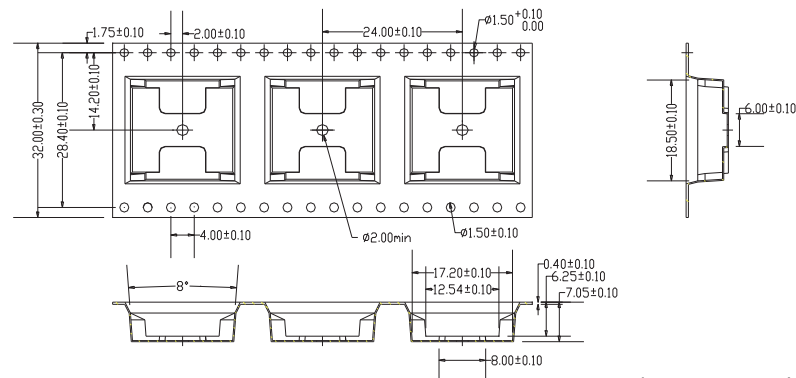
REMARK:



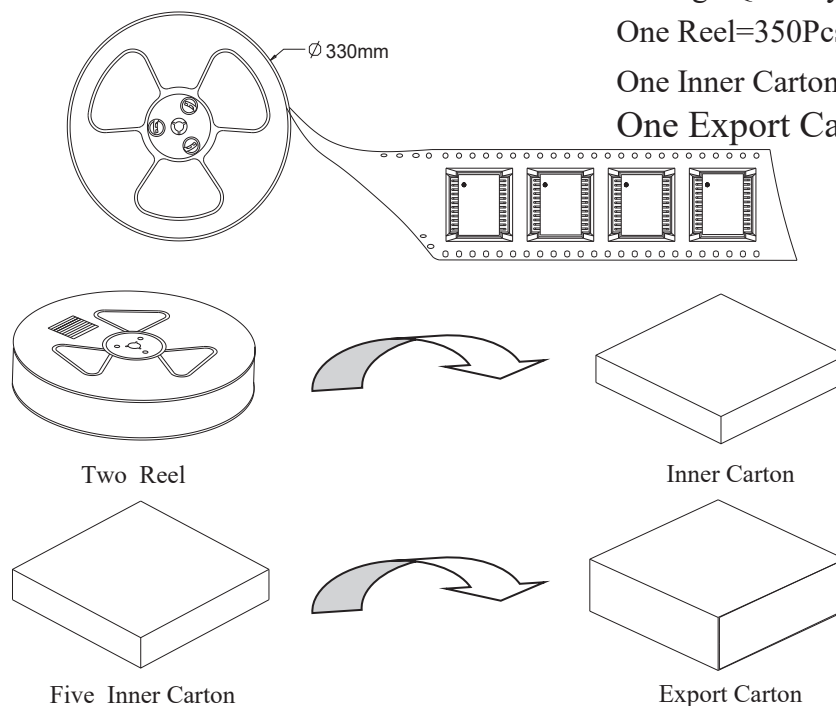
### C. ELECTRICAL SPECIFICATIONS @25°C

1. OCL: 350uH Min @ 100 KHz, 0.1V 8mA DC BIAS
2. Leakage Inductance: 0.5uH Max @ 100KHz, 0.1V
3. DCR: 1400mΩ Max
4. Turns Ratio: 1CT:1CT±5%
5. Insertion Loss: -1.1 dB Max @ 1-100 MHz
6. Return Loss: -18 dB Min @ 1-30 MHz
  - 14.4 dB Min @ 40 MHz
  - 13.1 dB Min @ 50 MHz
  - 12 dB Min @ 60-80 MHz
  - 10 dB Min @ 100 MHz
7. Cross Talk: -30 dB Min @ 1-100 MHz
8. Common Mode Rejection: -30 dB Min @ 1-100 MHz
9. Isolation Hipot: 1500VAC 1mA 60S
10. Operating temperature 0°C to +70°C
11. Storage temperature -40°C to +85°C

### D. PACKAGE INFORMATION



Package Quantity:  
 One Reel=350Pcs  
 One Inner Carton=350\*2=700Pcs  
 One Export Carton=700\*5=3500Pcs



**VOOHU** 苏州沃虎电子科技有限公司  
 Su Zhou Voohu Electronic Tech.Co.Ltd

TITLE: 100/1000 BASE-T	SIZE A4	UNITS MM[INCH]	GENERAL TOLERANCES UNLESS SPECIFIED		APPROVED BY: Geoffrey.Song
PART NO.: WHS24701 G	SACLE 1:1	REV A0	x±0.35	x°±3.0°	CHECKED BY: Elvis.Song
REMARK:	SHEET 2/2		.xx±0.25	.xx°±1.5°	DESIGND BY: Sunny.Xu
			.xxx±0.10	.xxx°±1.0°	

TEL: +86 400 1048 018

WEB: [WWW.WOHU-TEK.COM](http://WWW.WOHU-TEK.COM)