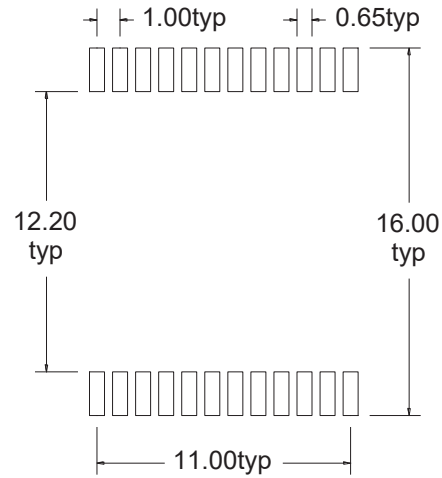
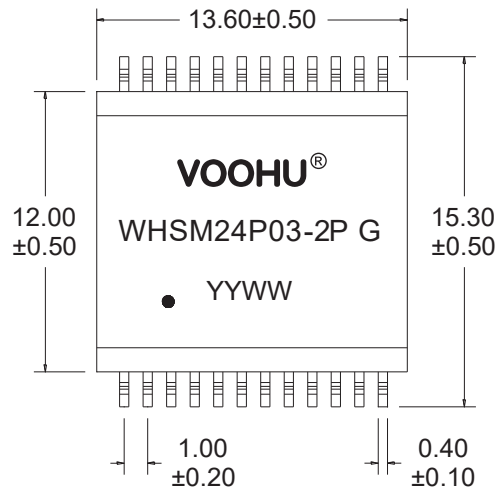
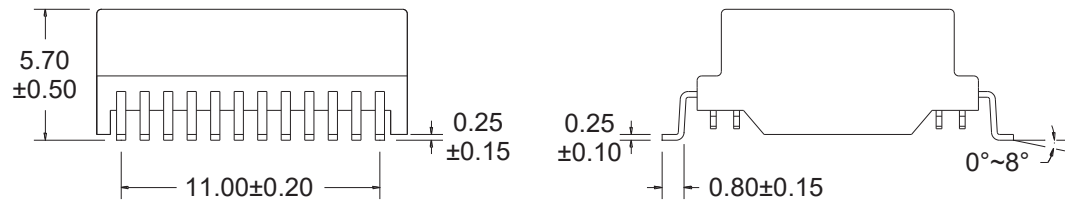


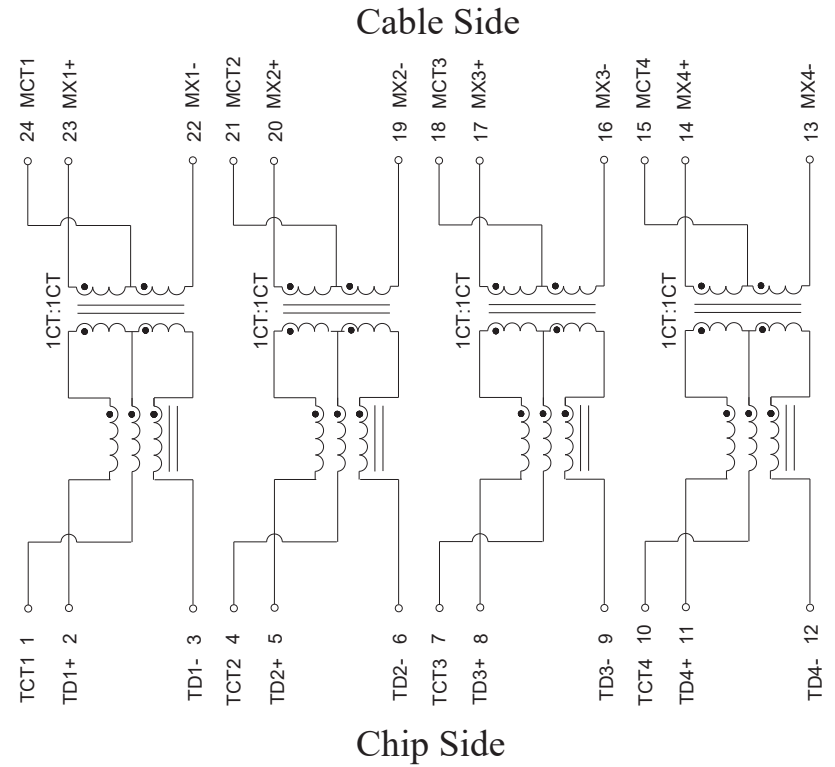
A. MECHANICAL(unit:mm)



Suggested PAD Layout



B. SCHEMATICS



VOOHU 苏州沃虎电子科技有限公司
Su Zhou Voohu Electronic Tech.Co.Ltd

TITLE:
10G BASE-T

SIZE
A4

UNITS
MM[INCH]

GENERAL TOLERANCES
UNLESS SPECIFIED

APPROVED BY:
Geoffrey.Song

PART NO.:
WHSM24P03-2P G

SACLE
1:1

REV
A0

$x \pm 0.35$	$x^\circ \pm 3.0^\circ$
$.x \pm 0.30$	$.x^\circ \pm 2.0^\circ$

CHECKED BY:
Elvis.Song

TEL: +86 400 1048 018

WEB: WWW.WOHU-TEK.COM

REMARK:

SHEET
1/2



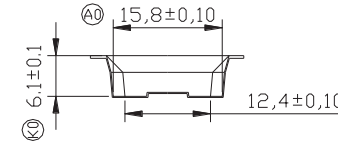
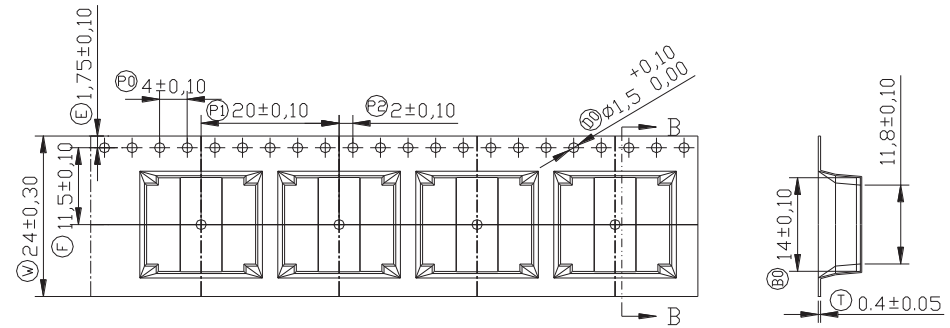
$.xx \pm 0.25$	$.xx^\circ \pm 1.5^\circ$
$.xxx \pm 0.10$	$.xxx^\circ \pm 1.0^\circ$

DESIGND BY:
Sunny.Xu

C. ELECTRICAL SPECIFICATIONS @25°C

1. OCL: 120 uH Min @100KHz 100mV with 21mA DC Bias
2. Leakage Inductance: 0.5uH Max @ 100KHz, 0.1V
3. DCR: 900mΩ Max
4. Turns Ratio: 1CT:1CT±5%
5. Insertion Loss: -1.2dB max @ 1~200 MHz
 -1.5dB max @ 200~300 MHz
 -2.0dB max @ 300~400 MHz
 -3.0dB max @ 400~500 MHz
6. Return Loss: -18 dB Min @ 1~100 MHz
 -16 dB Min @ 100~200 MHz
 -12 dB Min @ 200~300 MHz
 -10 dB Min @ 300~400 MHz
 -8 dB Min @ 400~500 MHz
7. Cross Talk: -25 dB Typ @ 1-500 MHz
8. Common Mode Rejection: -25 dB Typ @ 1-500 MHz
9. Isolation Hipot: 1500VAC 1mA 60S
10. Operating temperature 0°C to +70°C
11. Storage temperature 0°C to +85°C
12. PoE Support 100W: Each channel support 1A DC balance current,
 Full channels support 2A DC balance current.

D. PACKAGE INFORMATION

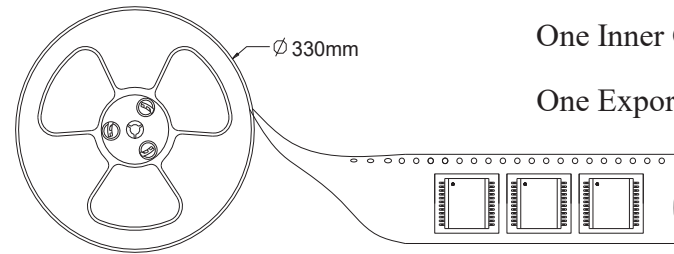


Package Quantity:

One Reel=450Pcs

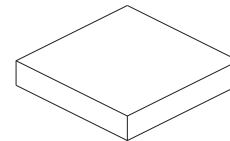
One Inner Carton=450*2=900Pcs

One Export Carton=900*5=4500Pcs



two reel

Inner Carton



five Inner Carton

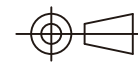
Export Carton

VOOHU 苏州沃虎电子科技有限公司
 Su Zhou Voohu Electronic Tech.Co.Ltd

TITLE: 10G BASE-T
 PART NO.: WHSM24P03-2P G

REMARK:

SIZE A4
 UNITS MM[INCH]
 SACLE 1:1
 REV A0
 SHEET 2/2



GENERAL TOLERANCES UNLESS SPECIFIED
 x±0.35 x°±3.0°
 .x±0.30 .x°±2.0°
 .xx±0.25 .xx°±1.5°
 .xxx±0.10 .xxx°±1.0°

APPROVED BY: Geoffrey.Song
 CHECKED BY: Elvis.Song
 DESIGND BY: Sunny.Xu

TEL: +86 400 1048 018

WEB: WWW.WOHU-TEK.COM