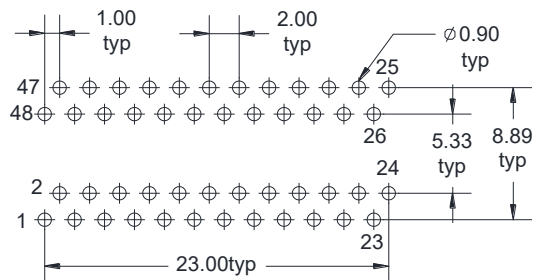
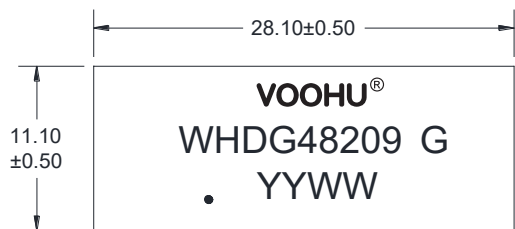
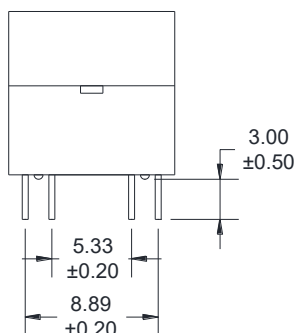
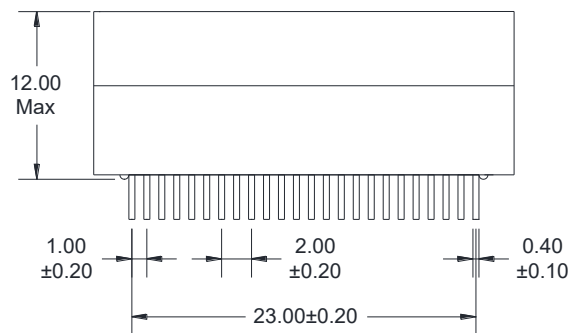


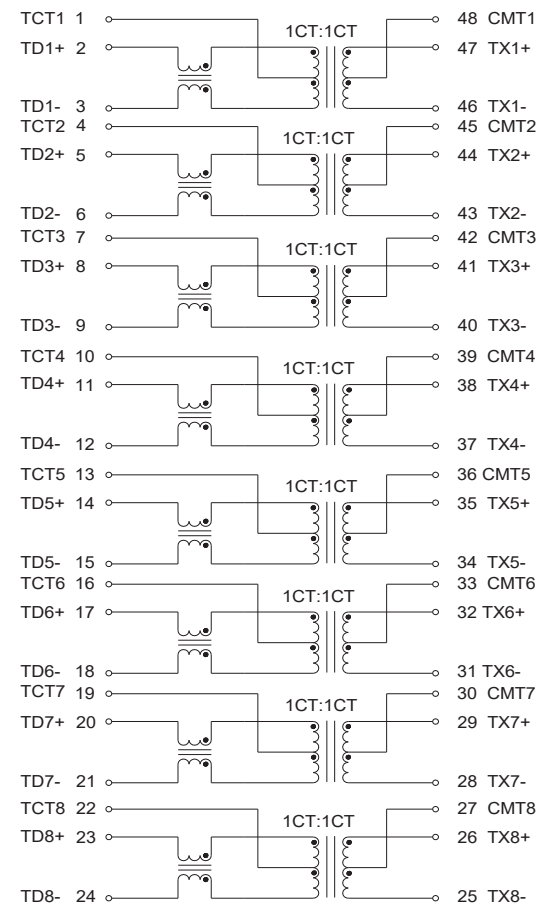
A. MECHANICAL(unit:mm)



Suggestde PAD Layout



B. SCHEMATICS



**VOOHU** 苏州沃虎电子科技有限公司  
Su Zhou Voohu Electronic Tech.Co.Ltd

TITLE:  
100/1000 BASE-T

SIZE  
A4  
UNITS  
MM[INCH]

GENERAL TOLERANCES  
UNLESS SPECIFIED

APPROVED BY:  
Geoffrey.Song

PART NO.:  
WHDG48209 G

SACLE  
1:1  
REV  
A0

$x \pm 0.35$   
 $.x \pm 0.30$   
 $.xx \pm 0.25$   
 $.xxx \pm 0.10$

CHECKED BY:  
Elvis.Song

REMARK:

SHEET  
1/2



$x^\circ \pm 3.0^\circ$   
 $.x^\circ \pm 2.0^\circ$   
 $.xx^\circ \pm 1.5^\circ$   
 $.xxx^\circ \pm 1.0^\circ$

DESIGND BY:  
Sunny.Xu

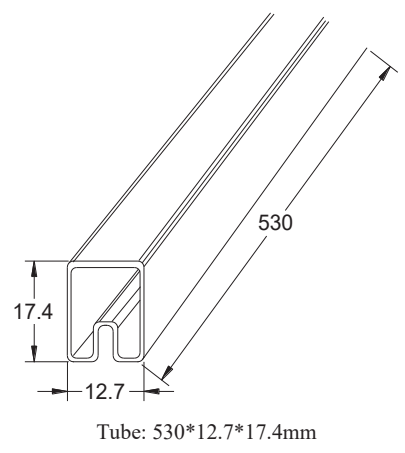
TEL: +86 400 1048 018

WEB: WWW.WOHU-TEK.COM

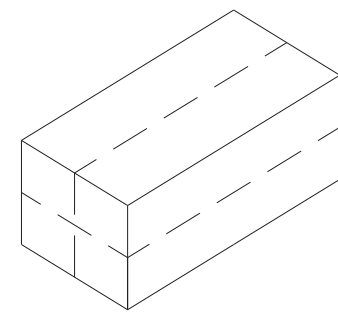
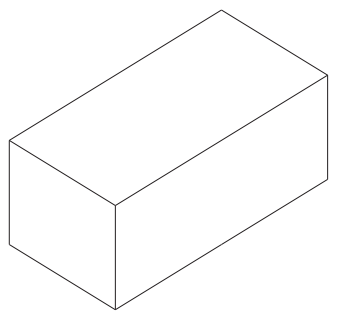
**C. ELECTRICAL SPECIFICATIONS @25°C**


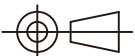
1. OCL: 350uH Min @ 100KHz, 0.1V 8mA DC BIAS
2. Leakage Inductance: 0.5uH Max @ 100KHz, 0.1V
3. DCR: 1400mΩ Max
4. Turns Ratio: 1CT:1CT±5%
5. Insertion Loss: -1.1 dB Max @ 1-100 MHz
6. Return Loss: -18 dB Min @ 1-30 MHz  
 -14.4 dB Min @ 40 MHz  
 -13.1 dB Min @ 50 MHz  
 -12 dB Min @ 60-80 MHz  
 -10 dB Min @ 100 MHz
7. Cross Talk: -30 dB Min @ 1-100 MHz
8. Common Mode Rejection: -30 dB Min @ 1-100 MHz
9. Isolation Hipot: 1500VAC 1mA 60S
10. Operating temperature 0°C to +70°C
11. Storage temperature -40°C to +85°C

**D. PACKAGE INFORMATION**



Package Quantity:  
 One Tube=18Pcs  
 One Inner Carton=18\*50=900Pcs  
 One Export Carton=900\*4=3600Pcs



|  |   |  |              |   |  |            |                               |
|--|---|--|--------------|---|--|------------|-------------------------------|
|  <b>苏州沃虎电子科技有限公司</b><br>Su Zhou Voohu Electronic Tech.Co.Ltd | TITLE:<br>100/1000 BASE-T                                   |  | SIZE<br>A4   | UNITS<br>MM[INCH]   | GENERAL TOLERANCES<br>UNLESS SPECIFIED |            | APPROVED BY:<br>Geoffrey.Song |
|  | PART NO.:<br>WHDG48209 G                                    |  | SACLE<br>1:1 | REV<br>A0   | .x±0.35                                | x°±3.0°    | CHECKED BY:<br>Elvis.Song     |
|  | REMARK:   |  | SHEET<br>2/2 |  | .xx±0.25                               | .xx°±1.5°  | DESIGND BY:<br>Sunny.Xu       |
| TEL: +86 400 1048 018  | WEB: <a href="http://WWW.WOHU-TEK.COM">WWW.WOHU-TEK.COM</a> |  |              |   | .xxx±0.10                              | .xxx°±1.0° |                               |