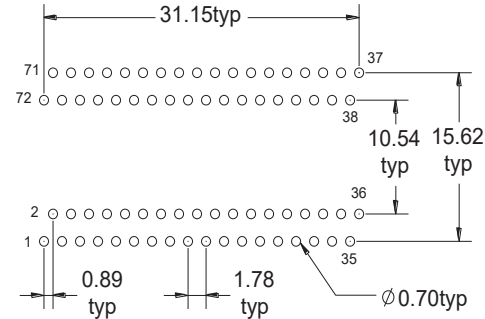
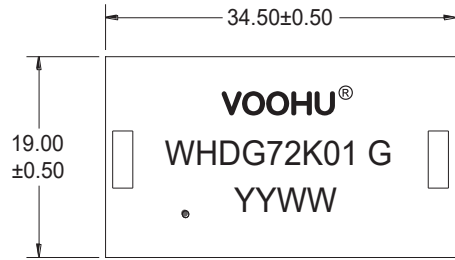
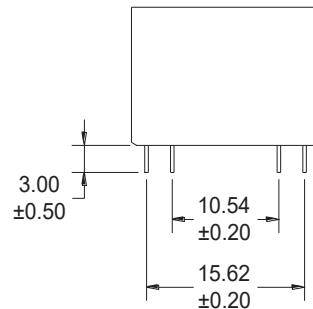
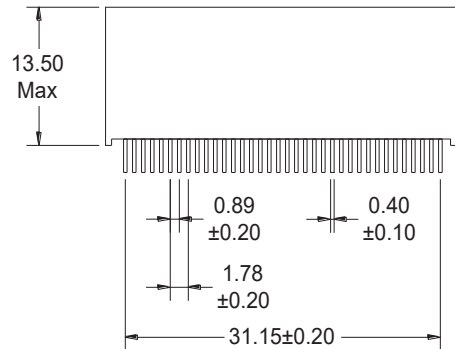


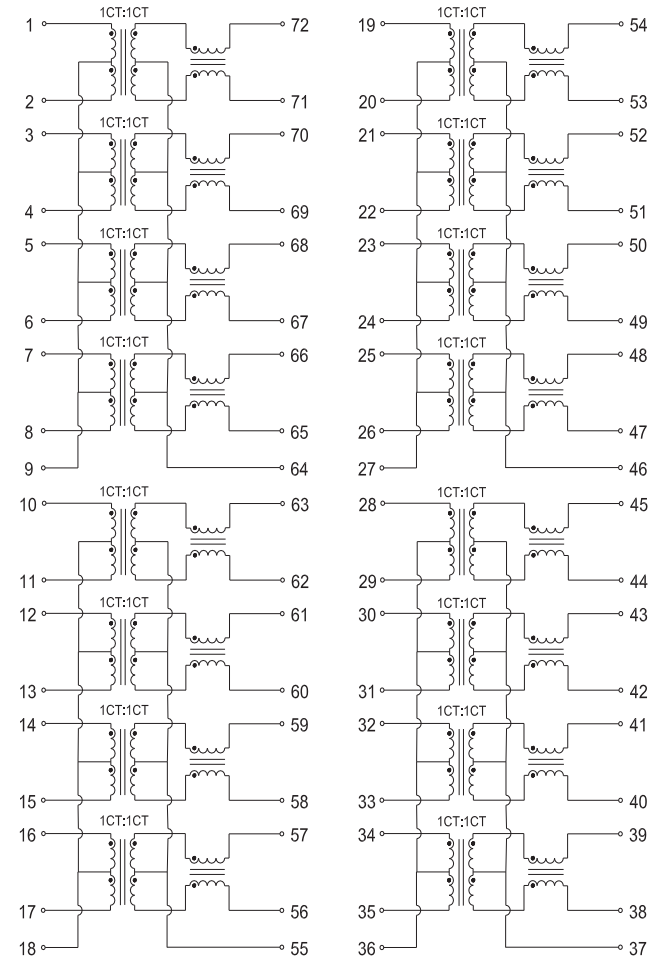
### A. MECHANICAL(unit:mm)



SUGGESTED PAD LAYOUT



### B. SCHEMATICS



**VOOHU** 苏州沃虎电子科技有限公司  
Su Zhou Voohu Electronic Tech.Co.Ltd

TITLE:  
100/1000 BASE-T

SIZE  
A4

UNITS  
MM[INCH]

GENERAL TOLERANCES  
UNLESS SPECIFIED

APPROVED BY:  
Geoffrey.Song

PART NO.:  
WHDG72K01 G

SACLE  
1:1

REV  
A0

$x \pm 0.35$

$x^\circ \pm 3.0^\circ$

CHECKED BY:

Elvis.Song

TEL: +86 400 1048 018

WEB: [WWW.WOHU-TEK.COM](http://WWW.WOHU-TEK.COM)

REMARK:

SHEET  
1/2



$.xx \pm 0.25$

$.xx^\circ \pm 1.5^\circ$

DESIGND BY:

Sunny.Xu

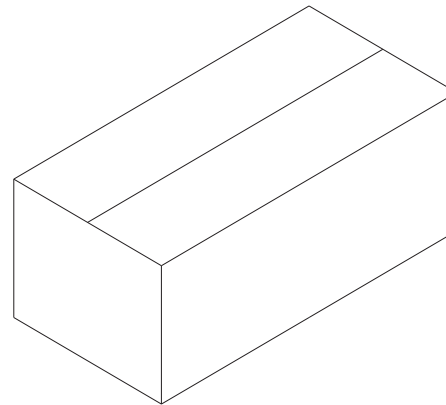
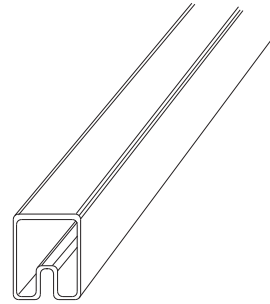
$.xxx \pm 0.10$

$.xxx^\circ \pm 1.0^\circ$

### C. ELECTRICAL SPECIFICATIONS @25°C

1. OCL: 350uH Min @ 100KHz, 0.1V 8mA DC BIAS
2. Leakage Inductance: 0.5uH Max @ 100KHz, 0.1V
3. DCR: 1400mΩ Max
4. Turns Ratio: 1CT:1CT±5%
5. Insertion Loss: -1.1 dB Max @ 1-100 MHz
6. Return Loss: -18 dB Min @ 1-30 MHz
  - 14.4 dB Min @ 40 MHz
  - 13.1 dB Min @ 50 MHz
  - 12 dB Min @ 60-80 MHz
  - 10 dB Min @ 100 MHz
7. Cross Talk: -30 dB Min @ 1-100 MHz
8. Common Mode Rejection: -30 dB Min @ 1-100 MHz
9. Isolation Hipot: 1500VAC 1mA 60S
10. Operating temperature 0°C to +70°C
11. Storage temperature -20°C to +125°C

### D. PACKAGE INFORMATION


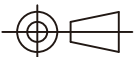


Package Quantity:

One Tube=14Pcs

One Carton=14\*108=1512Pcs

Carton: L550\*W255\*H195mm

 <b>苏州沃虎电子科技有限公司</b> Su Zhou Voohu Electronic Tech.Co.Ltd	TITLE:	SIZE	UNITS	GENERAL TOLERANCES		APPROVED BY:
	100/1000 BASE-T	A4	MM[INCH]	UNLESS SPECIFIED		Geoffrey.Song
	PART NO.:	SACLE	REV	x±0.35	x°±3.0°	CHECKED BY:
WHDG72K01 G	1:1	A0	.x±0.30	.x°±2.0°	Elvis.Song	
TEL: +86 400 1048 018	REMARK:	SHEET		.xx±0.25	.xx°±1.5°	DESIGND BY:
WEB: WWW.WOHU-TEK.COM		2/2		.xxx±0.10	.xxx°±1.0°	Sunny.Xu