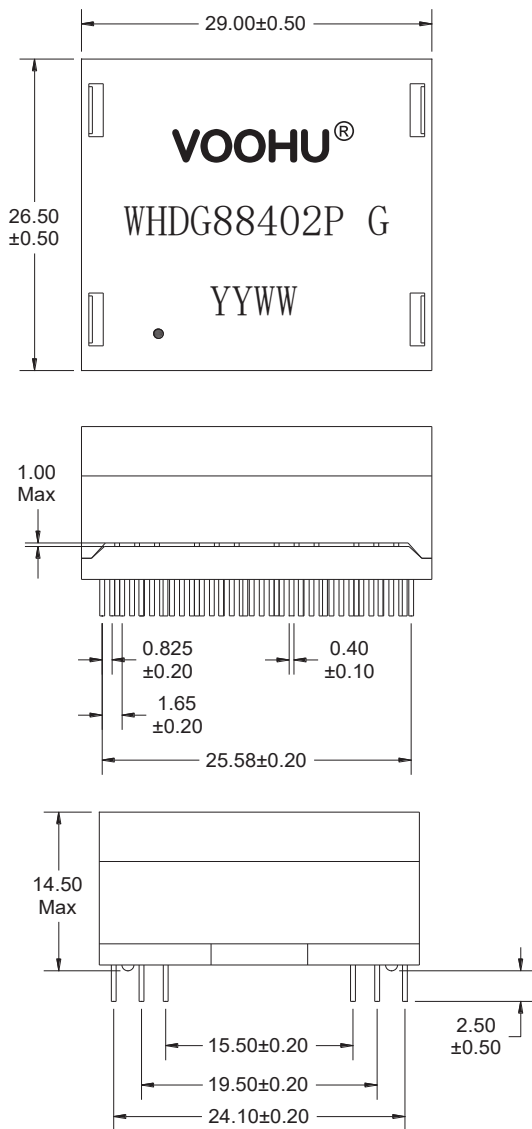
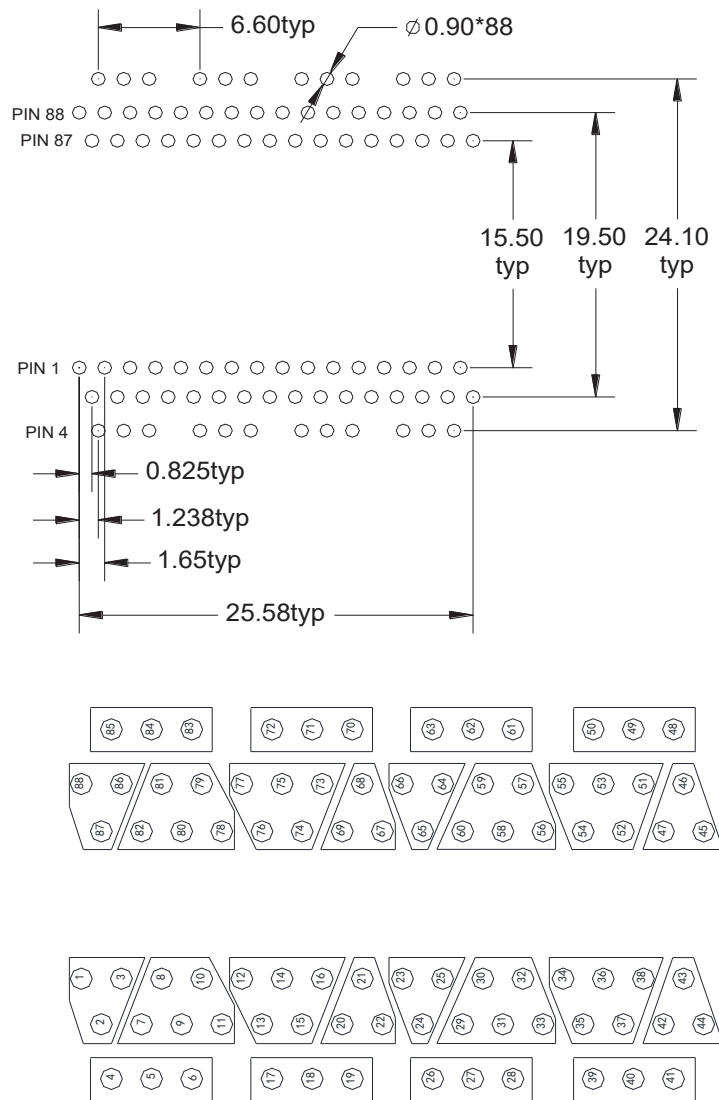


A. MECHANICAL(unit:mm)



B. PCB Layout mounting Hole(Top View)



VOOHU 苏州沃虎电子科技有限公司
 Su Zhou Voohu Electronic Tech.Co.Ltd

TITLE:
100/1000 BASE-T

SIZE
A4

UNITS
MM[INCH]

GENERAL TOLERANCES
UNLESS SPECIFIED

APPROVED BY:
Geoffrey.Song

PART NO.:
WHDG88402P G

SACLE
1:1

REV
A0

$x \pm 0.35$
 $.x \pm 0.30$

$x^\circ \pm 3.0^\circ$
 $.x^\circ \pm 2.0^\circ$
CHECKED BY:
Elvis.Song

TEL: +86 400 1048 018

WEB: WWW.WOHU-TEK.COM

REMARK:

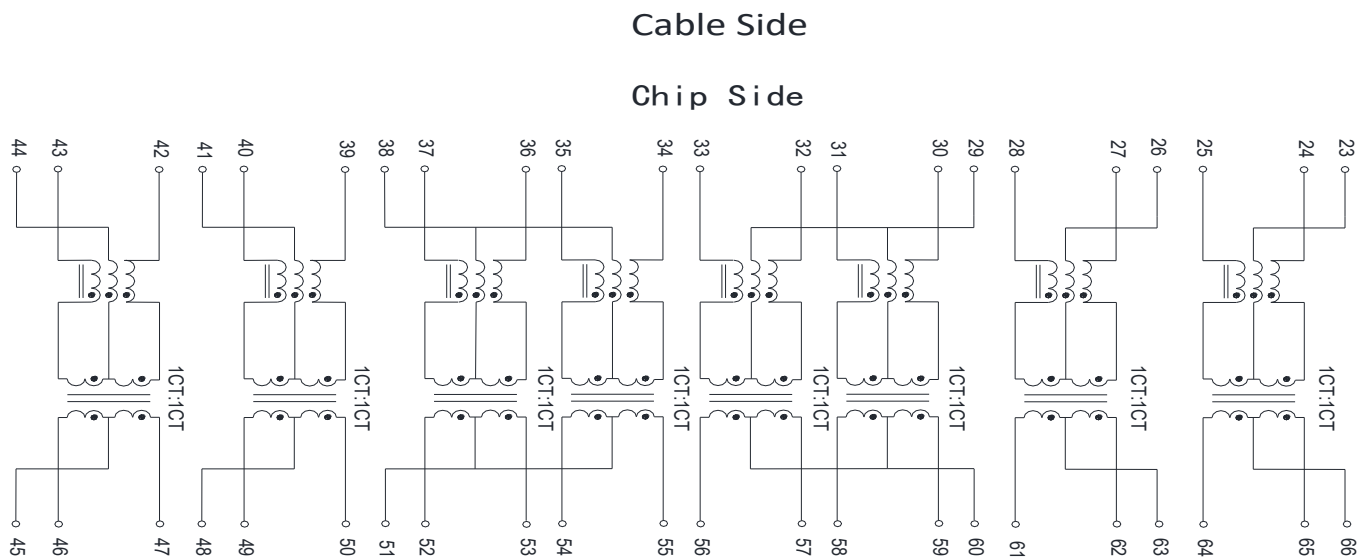
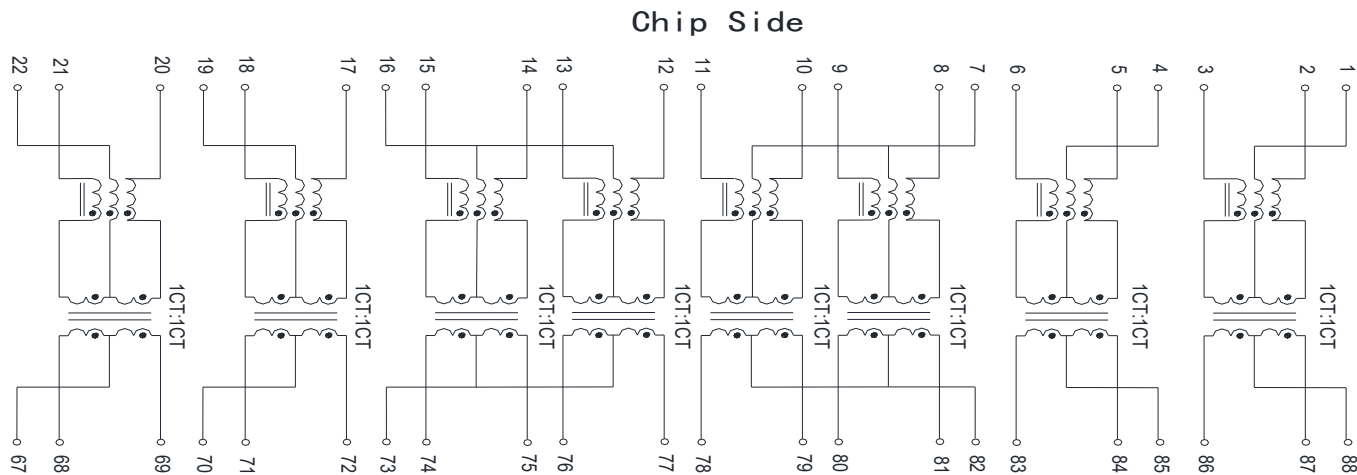
SHEET
1/4



$.xx \pm 0.25$
 $.xxx \pm 0.10$
 $.xx^\circ \pm 1.5^\circ$
 $.xxx^\circ \pm 1.0^\circ$

DESIGND BY:
Sunny.Xu

C. SCHEMATICS



VOOHU 苏州沃虎电子科技有限公司
Su Zhou Voohu Electronic Tech.Co.Ltd

TITLE:
100/1000 BASE-T

SIZE
A4

UNITS
MM[INCH]

GENERAL TOLERANCES
UNLESS SPECIFIED

APPROVED BY:
Geoffrey.Song

PART NO.:
WHDG88402P G

SACLE
1:1

REV
A0

$x \pm 0.35$
 $.x \pm 0.30$

$x^\circ \pm 3.0^\circ$
 $.x^\circ \pm 2.0^\circ$

CHECKED BY:
Elvis.Song

TEL: +86 400 1048 018

WEB: WWW.WOHU-TEK.COM

REMARK:

SHEET
1/2



$.xx \pm 0.25$
 $.xxx \pm 0.10$

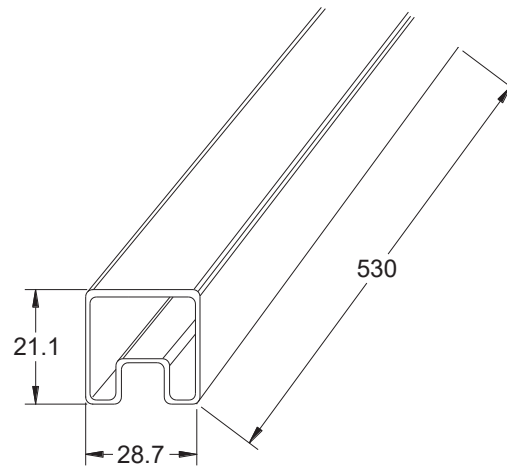
$.xx^\circ \pm 1.5^\circ$
 $.xxx^\circ \pm 1.0^\circ$

DESIGND BY:
Sunny.Xu

D. ELECTRICAL SPECIFICATIONS @25°C

1. OCL: 350 uH Min @ 100KHz, 0.1V 8mA DC BIAS
2. Leakage Inductance: 0.5 uH Max @ 100KHz, 0.1V
3. DCR: 1400 mΩ Max
4. Turns Ratio: 1CT:1CT±5%
5. Insertion Loss: -1.2 dB Max @ 0.5-1 MHz
-0.2-0.002*f^{1.4} dB Max @ 1-125 MHz
6. Return Loss: -16 dB Min @ 1-40 MHz
-10+20*log (f/80) dB Min @ 40.1-100 MHz
7. Cross Talk: -30 dB Min @ 1-100 MHz
8. Common Mode Rejection: -30 dB Min @ 1-100 MHz
9. Isolation Hipot: 1500VAC 1mA 60S
10. Operating temperature 0°C to +70°C
11. Storage temperature -40°C to +85°C
13. IEEE802.3at compliant performance---720mA Current Capability

E. PACKAGE INFORMATION



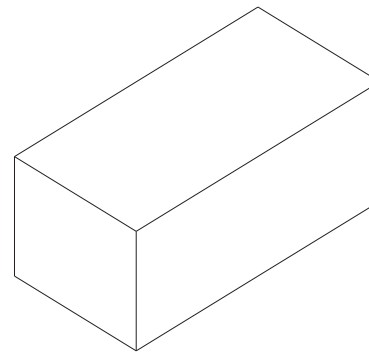
Tube: 530*28.7*21.1mm

Package Quantity:

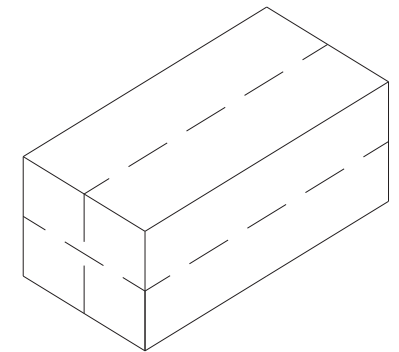
One Tube=17Pcs

One Inner Carton=17*20=340Pcs


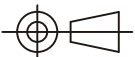
One Export Carton=340*4=1360Pcs



Inner Carton: L555*W165*H100mm



Export Carton: L583*W370*H240mm

 苏州沃虎电子科技有限公司 Su Zhou Voohu Electronic Tech.Co.Ltd	TITLE:	SIZE	UNITS	GENERAL TOLERANCES		APPROVED BY:
	100/1000 BASE-T	A4	MM[INCH]	UNLESS SPECIFIED		Geoffrey.Song
	PART NO.:	SACLE	REV	x±0.35	x°±3.0°	CHECKED BY:
WHDG88402P G	1:1	A0	.x±0.30	.x°±2.0°	Elvis.Song	
TEL: +86 400 1048 018	REMARK:	SHEET		.xx±0.25	.xx°±1.5°	DESIGND BY:
WEB: WWW.WOHU-TEK.COM		2/2		.xxx±0.10	.xxx°±1.0°	Sunny.Xu