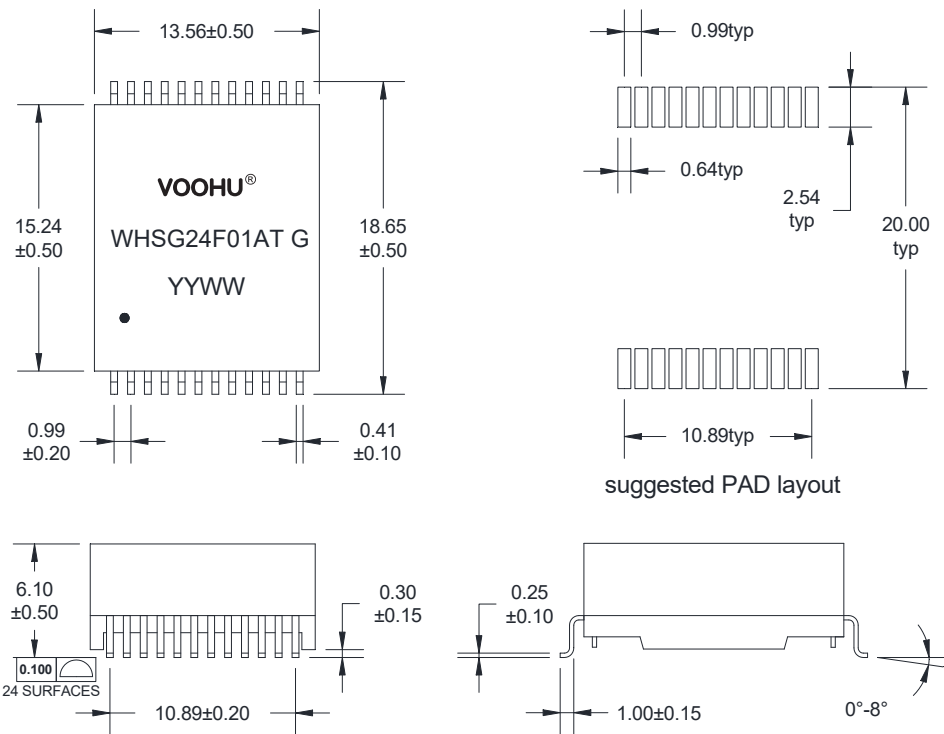
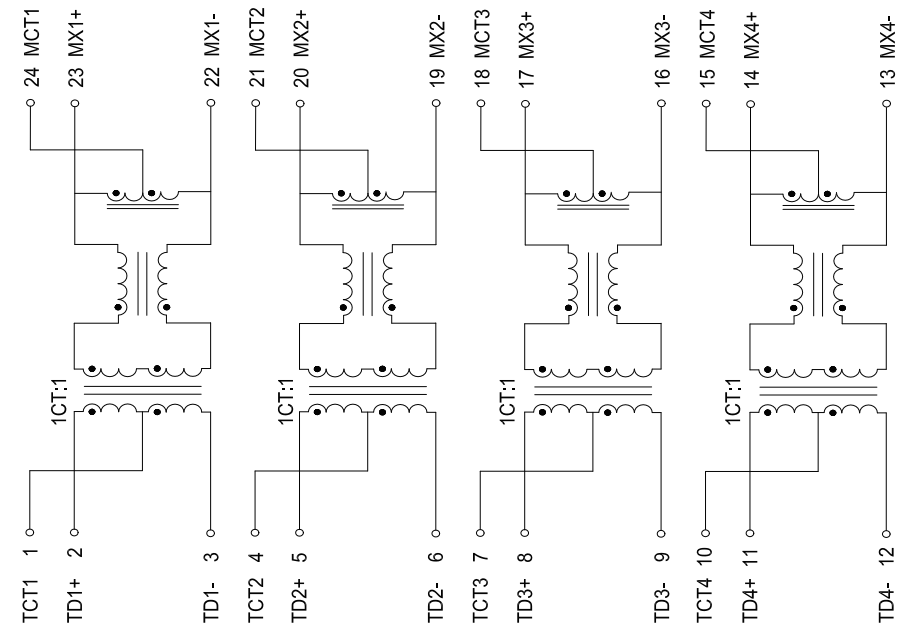


A. MECHANICAL(unit:mm)



B. SCHEMATICS



VOOHU 苏州沃虎电子科技有限公司
Su Zhou Voohu Electronic Tech.Co.Ltd

TEL: +86 400 1048 018

WEB: WWW.WOHU-TEK.COM

TITLE:
100/1000 BASE-TX

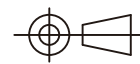
PART NO.:
WHSG24F01AT G

REMARK:

SIZE
A4

SACLE
1:1

SHEET
1/2



UNITS
MM[INCH]

REV
A0

GENERAL TOLERANCES
UNLESS SPECIFIED

$x \pm 0.35$	$x^\circ \pm 3.0^\circ$
$.x \pm 0.30$	$.x^\circ \pm 2.0^\circ$
$.xx \pm 0.25$	$.xx^\circ \pm 1.5^\circ$
$.xxx \pm 0.10$	$.xxx^\circ \pm 1.0^\circ$

APPROVED BY:
Geoffrey.Song

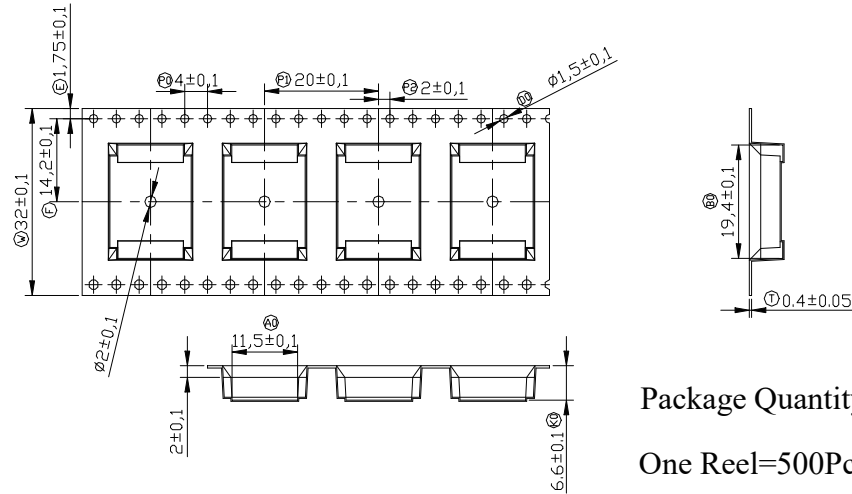
CHECKED BY:
Elvis.Song

DESIGND BY:
Sunny.Xu

C. ELECTRICAL SPECIFICATIONS @25°C

1. OCL: 350uH Min @ 100KHz, 0.1V 8mA DC BIAS
2. Leakage Inductance: 0.5uH Max @ 100KHz, 0.1V
3. DCR: 1400mΩ Max
4. Turns Ratio: 1CT:1CT±5%
5. Insertion Loss: -1.1 dB Max @ 1-100 MHz
6. Return Loss: -18 dB Min @ 1-30 MHz
 - 14.4 dB Min @40 MHz
 - 13.1 dB Min @ 50 MHz
 - 12 dB Min @ 60-80 MHz
 - 10 dB Min @ 100 MHz
7. Cross Talk: -30 dB Min @ 1-100 MHz
8. Common Mode Rejection: -30 dB Min @ 1-100 MHz
9. Isolation Hipot: 1500VAC 1mA 60S
10. Operating temperature -40°C to +85°C
11. Storage temperature -40°C to +85°C

D. PACKAGE INFORMATION

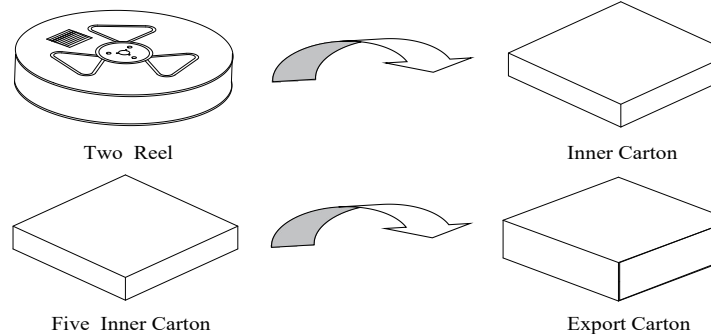
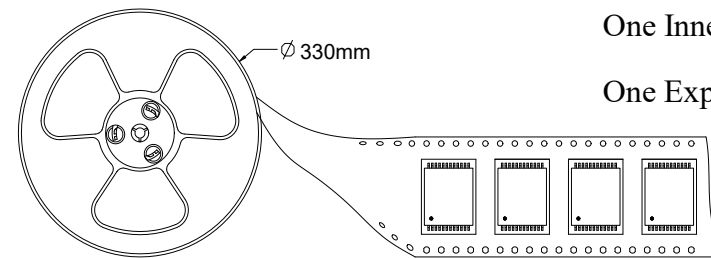


Package Quantity:

One Reel=500Pcs

One Inner Carton=500*2=1000Pcs

One Export Carton=1000*5=5000Pcs



VOOHU 苏州沃虎电子科技有限公司
Su Zhou Voohu Electronic Tech.Co.Ltd

TITLE:	100/1000 BASE-TX	SIZE	A4	UNITS	MM[INCH]	GENERAL TOLERANCES	UNLESS SPECIFIED	APPROVED BY:	Geoffrey.Song
PART NO.:	WHS24F01AT G	SACLE	1:1	REV	A0	x±0.35	x°±3.0°	CHECKED BY:	Elvis.Song
REMARK:		SHEET	2/2			.xx±0.25	.xx°±1.5°	DESIGND BY:	Sunny.Xu
						.xxx±0.10	.xxx°±1.0°		

TEL: +86 400 1048 018

WEB: WWW.WOHU-TEK.COM